

**SmartSTACK 100
ELS100-24TX
ETHERNET SWITCH**

INSTALLATION
AND
USER GUIDE

CABLETRON
SYSTEMS



Only qualified personnel should perform installation procedures.

NOTICE

Cabletron Systems reserves the right to make changes in specifications and other information contained in this document without prior notice. The reader should in all cases consult Cabletron Systems to determine whether any such changes have been made.

The hardware, firmware, or software described in this manual is subject to change without notice.

IN NO EVENT SHALL CABLETRON SYSTEMS BE LIABLE FOR ANY INCIDENTAL, INDIRECT, SPECIAL, OR CONSEQUENTIAL DAMAGES WHATSOEVER (INCLUDING BUT NOT LIMITED TO LOST PROFITS) ARISING OUT OF OR RELATED TO THIS MANUAL OR THE INFORMATION CONTAINED IN IT, EVEN IF CABLETRON SYSTEMS HAS BEEN ADVISED OF, KNOWN, OR SHOULD HAVE KNOWN, THE POSSIBILITY OF SUCH DAMAGES.

© Copyright 1999 by Cabletron Systems, Inc., P.O. Box 5005, Rochester, NH 03866-5005

All Rights Reserved

Printed in the United States of America

Part Number: 9032579-03 January 1999

ELS100-24TX is a trademark of Cabletron Systems, Inc.

All other product names mentioned in this manual may be trademarks or registered trademarks of their respective companies.

FCC NOTICE

This device complies with Part 15 of the FCC rules. Operation is subject to the following two conditions: (1) this device may not cause harmful interference, and (2) this device must accept any interference received, including interference that may cause undesired operation.

NOTE: This equipment has been tested and found to comply with the limits for a Class A digital device, pursuant to Part 15 of the FCC rules. These limits are designed to provide reasonable protection against harmful interference when the equipment is operated in a commercial environment. This equipment uses, generates, and can radiate radio frequency energy and if not installed in accordance with the operator's manual, may cause harmful interference to radio communications. Operation of this equipment in a residential area is likely to cause interference in which case the user will be required to correct the interference at his own expense.

WARNING: Changes or modifications made to this device which are not expressly approved by the party responsible for compliance could void the user's authority to operate the equipment.



Printed on Recycled Paper

DOC NOTICE

This digital apparatus does not exceed the Class A limits for radio noise emissions from digital apparatus set out in the Radio Interference Regulations of the Canadian Department of Communications.

Le présent appareil numérique n'émet pas de bruits radioélectriques dépassant les limites applicables aux appareils numériques de la class A prescrites dans le Règlement sur le brouillage radioélectrique édicté par le ministère des Communications du Canada.

VCCI NOTICE

This is a Class A product based on the standard of the Voluntary Control Council for Interference by Information Technology Equipment (VCCI). If this equipment is used in a domestic environment, radio disturbance may arise. When such trouble occurs, the user may be required to take corrective actions.

この装置は、情報処理装置等電波障害自主規制協議会（VCCI）の基準に基づくクラスA情報技術装置です。この装置を家庭環境で使用すると電波妨害を引き起こすことがあります。この場合には使用者が適切な対策を講ずるよう要求されることがあります。

CABLETRON SYSTEMS, INC. PROGRAM LICENSE AGREEMENT

IMPORTANT: Before utilizing this product, carefully read this License Agreement.

This document is an agreement between you, the end user, and Cabletron Systems, Inc. ("Cabletron") that sets forth your rights and obligations with respect to the Cabletron software program (the "Program") contained in this package. The Program may be contained in firmware, chips or other media. BY UTILIZING THE ENCLOSED PRODUCT, YOU ARE AGREEING TO BECOME BOUND BY THE TERMS OF THIS AGREEMENT, WHICH INCLUDES THE LICENSE AND THE LIMITATION OF WARRANTY AND DISCLAIMER OF LIABILITY. IF YOU DO NOT AGREE TO THE TERMS OF THIS AGREEMENT, PROMPTLY RETURN THE UNUSED PRODUCT TO THE PLACE OF PURCHASE FOR A FULL REFUND.

CABLETRON SOFTWARE PROGRAM LICENSE

1. LICENSE. You have the right to use only the one (1) copy of the Program provided in this package subject to the terms and conditions of this License Agreement.
You may not copy, reproduce or transmit any part of the Program except as permitted by the Copyright Act of the United States or as authorized in writing by Cabletron.
2. OTHER RESTRICTIONS. You may not reverse engineer, decompile, or disassemble the Program.
3. APPLICABLE LAW. This License Agreement shall be interpreted and governed under the laws and in the state and federal courts of New Hampshire. You accept the personal jurisdiction and venue of the New Hampshire courts.

EXCLUSION OF WARRANTY AND DISCLAIMER OF LIABILITY

1. EXCLUSION OF WARRANTY. Except as may be specifically provided by Cabletron in writing, Cabletron makes no warranty, expressed or implied, concerning the Program (including its documentation and media).

CABLETRON DISCLAIMS ALL WARRANTIES, OTHER THAN THOSE SUPPLIED TO YOU BY CABLETRON IN WRITING, EITHER EXPRESSED OR IMPLIED, INCLUDING BUT NOT LIMITED TO IMPLIED WARRANTIES OF MERCHANTABILITY AND FITNESS FOR A PARTICULAR PURPOSE, WITH RESPECT TO THE PROGRAM, THE ACCOMPANYING WRITTEN MATERIALS, AND ANY ACCOMPANYING HARDWARE.

2. NO LIABILITY FOR CONSEQUENTIAL DAMAGES. IN NO EVENT SHALL CABLETRON OR ITS SUPPLIERS BE LIABLE FOR ANY DAMAGES WHATSOEVER (INCLUDING, WITHOUT LIMITATION, DAMAGES FOR LOSS OF BUSINESS, PROFITS, BUSINESS INTERRUPTION, LOSS OF BUSINESS INFORMATION, SPECIAL, INCIDENTAL, CONSEQUENTIAL, OR RELIANCE DAMAGES, OR OTHER LOSS) ARISING OUT OF THE USE OR INABILITY TO USE THIS CABLETRON PRODUCT, EVEN IF CABLETRON HAS BEEN ADVISED OF THE POSSIBILITY OF SUCH DAMAGES. BECAUSE SOME STATES DO NOT ALLOW THE EXCLUSION OR LIMITATION OF LIABILITY FOR CONSEQUENTIAL OR INCIDENTAL DAMAGES, OR ON THE DURATION OR LIMITATION OF IMPLIED WARRANTIES, IN SOME INSTANCES THE ABOVE LIMITATIONS AND EXCLUSIONS MAY NOT APPLY TO YOU.

UNITED STATES GOVERNMENT RESTRICTED RIGHTS

The enclosed product (a) was developed solely at private expense; (b) contains "restricted computer software" submitted with restricted rights in accordance with Section 52227-19 (a) through (d) of the Commercial Computer Software - Restricted Rights Clause and its successors, and (c) in all respects is proprietary data belonging to Cabletron and/or its suppliers.

For Department of Defense units, the product is licensed with "Restricted Rights" as defined in the DoD Supplement to the Federal Acquisition Regulations, Section 52.227-7013 (c) (1) (ii) and its successors, and use, duplication, disclosure by the Government is subject to restrictions as set forth in subparagraph (c) (1) (ii) of the Rights in Technical Data and Computer Software clause at 252.227-7013. Cabletron Systems, Inc., 35 Industrial Way, Rochester, New Hampshire 03867-0505.

SAFETY INFORMATION LASER RADIATION AND CONNECTORS

When the connector is in place, all laser radiation remains within the fiber. The maximum amount of radiant power exiting the fiber (under normal conditions) is -12.6 dBm or 55×10^{-6} watts. Removing the optical connector from the transceiver allows laser radiation to emit directly from the optical port. The maximum radiance from the optical port (under worst case conditions) is 0.8 W cm^{-2} or $8 \times 10^3 \text{ W m}^2 \text{ sr}^{-1}$.

Do not use optical instruments to view the laser output. The use of optical instruments to view laser output increases eye hazard. When viewing the output optical port, power must be removed from the network adapter.

DECLARATION OF CONFORMITY

Application of Council Directive(s): 89/336/EEC
73/23/EEC

Manufacturer's Name: Cabletron Systems, Inc.

Manufacturer's Address: 35 Industrial Way
PO Box 5005
Rochester, NH 03867

European Representative Name: Mr. J. Solari

European Representative Address: Cabletron Systems Limited
Nexus House, Newbury Business Park
London Road, Newbury
Berkshire RG13 2PZ, England

Conformance to Directive(s)/
Product Standards: EC Directive 89/336/EEC
EC Directive 73/23/EEC
EN 55022
EN 50082-1
EN 60950

Equipment Type/Environment: Networking Equipment, for use in a Commercial or Light Industrial Environment.

We the undersigned, hereby declare, under our sole responsibility, that the equipment packaged with this notice conforms to the above directives.

Manufacturer	Legal Representative in Europe
<u>Mr. Ronald Fotino</u>	<u>Mr. J. Solari</u>
Full Name	Full Name
<u>Principal Compliance Engineer</u>	<u>Managing Director - E.M.E.A.</u>
Title	Title
<u>Rochester, NH, USA</u>	<u>Newbury, Berkshire, England</u>
Location	Location

TABLE OF CONTENTS

PREFACE	Preface i
Purpose	i
Audience	i
Conventions	i
Message Formats	i
Keyboard Entries	ii
Other Conventions	ii
Organization	iii
Getting Help	iv
1. PRODUCT OVERVIEW	1
Description	1
Features	1
Front Panel	3
Rear Panel	5
Feature Summaries	6
IEEE 802.1D Bridge	6
Spanning Tree Protocol	6
Frame Buffering and Frame Latency	6
Software Download	7
Non-volatile Parameter Storage	7
Configuration and Management Interfaces	7
RMON	8
Port Mirroring	8
Auto-negotiation	8
Broadcast Throttling	9
BootP/DHCP	9
LEDs	9
Full Duplex Mode	9
Flow Control	10
Virtual LANs (VLANs)	10
Class of Service	10
Application Examples	10
Client/Server Network Application	11
Local Backbone Application	12
2. INSTALLATION	13
Inspecting Your Shipment	13
Site Requirements	13
Mounting the Switch on a Table or Shelf	14
Mounting the Switch on a Wall	15
Mounting the Switch in a Rack	16
Connecting a Terminal to the Console Port	17
Powering the Switch	18
Power-Up	18
Connecting Network Cables	20
RJ-45 Connector	20
10Base-T/100Base-TX Ports	20

3. ELS100-24TX USER INTERFACE	21
Overview	21
User Access	22
Factory Defaults	23
Menu Hierarchy	24
Main Menu	25
System Configuration Menu	26
SNMP Configuration Menu	27
Switch Configuration Menu	28
Forwarding Table Configuration Menu	29
Spanning Tree Configuration Menu	31
Spanning Tree Port Configuration Menu	33
Spanning Tree Port #n Configuration Menu	34
VLAN Configuration Menu	35
VLAN Menu	36
VLAN #n Configuration Menu	37
VLAN Port Menu	38
Class of Service Configuration Menu	39
Port Priority Menu	40
Port Menu	41
Port Configuration Menu	42
Switch Statistics Screen	43
Switch Summary Screen	44
Port Statistics Screen	45
General Information Screen	47
Download Software Menu	48
Save Current Configuration	49
Return to Default Configuration	49
Logout	49
Reset	50
4. CONFIGURING & MONITORING THE SWITCH	51
Common Tasks	51
Setting Password Protection	52
Assigning an IP Address	52
Checking Network Configuration Status	53
Connecting via Telnet	53
Setting SNMP Management Access	53
Viewing Switch Statistics	54
Configuring Port Mirroring	54
Downloading a Software Upgrade	55
Downloading Via the Serial Port	55
Downloading Via TFTP	56
Configuring Spanning Tree Parameters	56
Configuring VLANs	57
Configuring Class of Service	58
Configuring Port Operation	58
Configuring the Forwarding Table	59
Configuring Broadcast Throttling	60
Setting a Default Gateway	61
Configuring BootP/DHCP	61

5. SNMP MANAGEMENT	63
The SNMP Protocol	63
MIB Objects	64
RFC 1213 (MIB-II)	64
RFC 1398 (Ethernet MIB)	65
RFC 1493 (Bridge MIB)	65
RFC 1757 (RMON MIB)	65
Cabletron Proprietary MIB Extensions	66
Compiling MIB Extensions	69
APPENDIX A. TECHNICAL SPECIFICATIONS	71
General	71
Standards Compliance	71
Certification	71
Data Rate	71
Environmental Specifications	71
Electrical Specifications	72
Physical	72
Microprocessor	72
Memory	72
Port Specifications	73
Console Port	73
10Base-T and 100Base-TX Ports	73
MDI/MDI-X Crossover Cable Wiring	74
Power Cord Set Requirements	75
General Requirements	75
Country-Specific Requirements	75
APPENDIX B. SPANNING TREE CONCEPTS	77
General	77
Spanning Tree Features	77
Spanning Tree Protocol in a Network	78
Spanning Tree Protocol Parameters	78
Spanning Tree Protocol Operation	79
Communicating Between Bridges	80
Selecting a Root Bridge and Designated Bridges	80
Selecting Designated Ports	80
Handling Duplicate Paths	80
Remapping Network Topology	80
APPENDIX C. FLOW CONTROL	81
APPENDIX D. VIRTUAL LANS (VLANS)	83
VLANs and Frame Tagging	83
ELS100-24TX VLAN Configuration	84
VLAN ID	84
Ports in VLAN	84
VLAN Egress Ports	85
VLAN Access Ports	85
VLAN Hybrid Ports	86
VLAN Application Example	88

APPENDIX E. CLASS OF SERVICE.....	89
APPENDIX F. ACRONYMS & ABBREVIATIONS	91
INDEX.....	Index 93

PREFACE

Purpose

This guide provides information about the features and applications of the ELS100-24TX switch as well as instructions for configuring and monitoring the switch.

Audience

This guide is intended for Ethernet local area network (LAN) administrators and Management Information Systems (MIS) personnel with the following background:

- Working knowledge of Ethernet LANs
- Familiarity with Transmission Control Protocol/Internet Protocol (TCP/IP) and Simple Network Management Protocol (SNMP)

Conventions

This section describes the conventions used in this guide.

Message Formats

Two types of messages, identified by icons, appear in the text:



A note informs you of special circumstances.



A caution indicates the possibility of equipment damage.

Keyboard Entries

This guide uses the following conventions for keyboard entries:

- When you read “enter,” type the text and press the [Enter] key.
- Example: Enter the Gateway IP address and press the [Enter] key.
- When you read “select,” type the letter associated with the parameter.
Example: Select **a** from the System Configuration Menu to view the SNMP Configuration Menu.

Other Conventions

This guide uses the following typographical conventions:

- Initial Caps Menu titles and console menu selections
- [Enter] Used to designate the Enter or Return key.
- ALL CAPS Used to designate fields within the console menus.
(Example: CONNECTION)
- `courier font` Screen messages and user prompts.
- Selection Describes a user-configurable user interface item.
- Field Describes a read-only information item

Organization

Chapter 1. Product Overview: Describes the features of the switch, front and rear panel components and application examples.

Chapter 2. Installation: Describes the content of your switch shipment, lists site requirements, and provides mounting instructions. Instructions for making connections and powering up the switch are provided as well.

Chapter 3. ELS100-24TX User Interface: Describes the user interface console menus and lists the factory defaults for system settings. Each of the console menus are presented along with a description of the selections/fields available within each menu.

Chapter 4. Configuring and Monitoring the Switch: Describes common tasks and associated steps required to configure the switch, and covers common switch and network considerations required to ensure system integrity.

Chapter 5. SNMP Management: Describes how the Simple Network Management Protocol (SNMP) communication protocol is used to manage the switch, and provides a description of industry standard and proprietary Managed Information Bases (MIBs) supported by the switch.

Appendix A. Technical Specifications: Provides a list of standards compliance and certifications, power cord requirements, as well as physical and operational specifications.

Appendix B. Spanning Tree Concepts: Describes the operation of the Spanning Tree Protocol and how it is used to resolve the problems of physical loops in a network.

Appendix C. Flow Control: Describes how the flow control features are used to provide a mechanism for protecting the switch from overload conditions and to keep additional traffic off the network.

Appendix D. Virtual LANs (VLANs): Describes how the switch uses VLANs to create isolated network domains, and provides illustrations of VLAN switch configurations.

Appendix E. Class of Service: Describes how the traffic Class of Service features can be used to assign mission-critical data a higher priority through the switch by delaying less critical traffic during periods of congestion.

Appendix F. Acronyms and Abbreviations: Provides definitions for a list of common acronyms and abbreviations used within the user guide and the networking industry.

Getting Help

If you need additional support for this device, or if you have any questions, comments, or suggestions concerning this manual, contact the Cabletron Systems Global Call Center:

Phone	(603) 332-9400
Internet mail	support@ctrn.com
FTP	ctrn.com (134.141.197.25)
Login	anonymous
Password	your email address
BBS	(603) 335-3358
Modem setting	8N1: 8 data bits, No parity, 1 stop bit
For additional information about Cabletron Systems or its products, visit the World Wide Web site: http://www.cabletron.com/	

Before calling the Cabletron Systems Global Call Center, be prepared to provide the following information:

- Your Cabletron Systems service contract number
- A description of the failure
- A description of any action(s) already taken to resolve the problem (e.g., changing mode switches, rebooting the unit, etc.)
- The serial and revision numbers of all involved Cabletron Systems products in the network
- A description of your network environment (layout, cable type, etc.)
- Network load and frame size at the time of the trouble (if known)
- The device history (i.e., have you returned the device before, is this a recurring problem, etc.)
- Any previous Return Material Authorization (RMA) numbers

1. PRODUCT OVERVIEW

Description

This installation and user guide describes the Cabletron Systems ELS100-24TX Ethernet switch. This unit is IEEE 802.1D-compliant and supports 24 IEEE 802.3u 100Base-TX Fast Ethernet ports. Each port can alternatively operate as an IEEE 802.3i 10Base-T port.

The Cabletron Systems ELS100-24TX switch automatically learns end-station addresses from the network and stores them in a Media Access Control (MAC) address forwarding table. Incoming packets are then forwarded to the appropriate output port based on the addresses in the packet. Each port on the switch operates at full Fast Ethernet wire speed with full address and frame filtering.

The Cabletron Systems ELS100-24TX switch contains advanced features such as Remote Monitoring (RMON), IEEE 802.1Q virtual LANs (VLANs), IEEE 802.1p Class of Service, flow control and broadcast throttling. For network management, the ELS100-24TX switch includes a standards-compliant Simple Network Management Protocol (SNMP) agent. This agent allows network management station applications to collect and present status and performance information about a switch as well as providing the ability to configure and control functions on the device.

Network management can also be performed in-band using the popular TCP/IP application, Telnet. In addition, a serial console port allows out-of-band management using a PC or an ASCII terminal. The ELS100-24TX switch is desktop or rack-mountable. LEDs on the front panel provide information about the operating status of the switch. The back panel of the switch contains the power connector and a power switch. Two fans maintain ventilation and cooling for internal switch components.

This chapter provides the following information:

- Product Description
- Features
- Front and Rear Panel Component Descriptions
- Feature Summaries
- Application Examples

Features

- Ports:
 - 24 dual-speed 10Base-T/100Base-TX RJ-45 connectors (MDI-X)

-
- Architecture:
 - 8-port 10/100 switch ASIC in a distributed switching architecture
 - 4.2 Gbps internal switching fabric
 - Up to 12 MB packet buffering (512 KB/port)
 - 4096 MAC address forwarding table per port; up to 12,288 addresses per system
 - IEEE 802.3u auto-negotiation for full/half duplex and 10/100 Mbps speed operation on all ports
 - High performance store-and-forward switching
 - Performance:
 - Forwarding: over 3.5 million packets-per-second (64 byte packets)
 - Filtering: 3.6 million packets-per-second (64 byte packets)
 - Traffic Management:
 - Tag and port-based VLANs per the IEEE 802.1Q draft standard - 4094 VLAN IDs recognized per switch
 - Class of Service support per the IEEE 802.1p draft standard
 - Flow control per port: IEEE 802.3x frame-based for full duplex; back-pressure for half duplex
 - Broadcast throttling for broadcast storm control
 - Network Management:
 - SNMP compliant agent: MIB II (RFC 1213), Bridge MIB (RFC 1493), Ethernet MIB (RFC 1398), RMON - Statistics, History, Alarm and Event groups per port (RFC 1757), private MIB extensions
 - Port mirroring for network monitoring and analysis
 - Telnet
 - Console port, RS-232, female DB-9 connector, null modem
 - BootP/DHCP for IP address configuration
 - LED Indicators
 - Ethernet ports: Link, Activity, 100Mbps Speed, Full Duplex
 - System: Power, Test
 - Software:
 - Extensive diagnostics for product testing and troubleshooting
 - Upgrades using the front panel console port or in-band with TFTP

Front Panel

Figure 1-1 shows the front panel of the ELS100-24TX. Table 1-1 defines the ELS100-24TX front panel components.

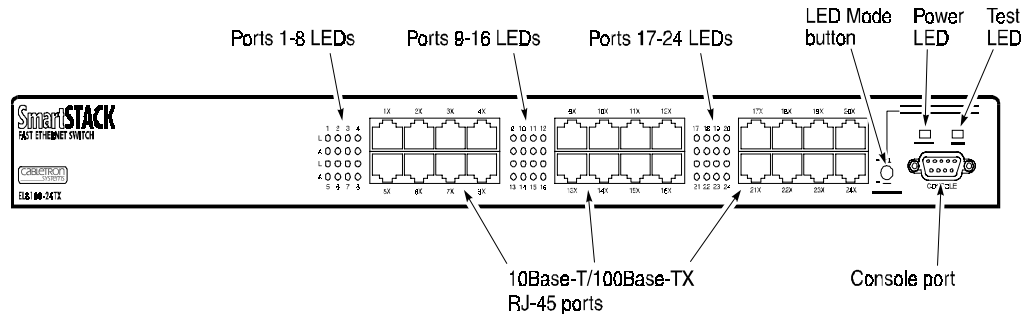


Figure 1-1. ELS100-24TX Front Panel

Table 1-1. Front Panel Components

Name	Function
Ports 1-24 LEDs	Indicates Link, Activity, Speed and Duplex information (see Table 1-2 for details).
10Base-T/100Base-TX RJ-45 ports (Ports 1-24)	RJ-45 connectors numerically identified based on the specific product configuration. All ports are wired MDI-X.
LED mode button	Button used to switch port LEDs between Link/Activity mode and 100M/Full Duplex mode.
Power LED	Lights steady green to indicate power is supplied to the switch. Off indicates no power is supplied to the switch.
Test LED	Lights steady green after a reset and remains on until successful completion of power-on self tests. Off indicates a successful completion of the power-on self tests.
Console port	Female DB-9 connector configured as a null modem connection for serial out-of-band management using the console menus.

Figure 1-2 shows the Link and Activity port LEDs for 24 10Base-T/100Base-TX ports (default configuration). Pressing the front panel LED mode button changes the operation of these LEDs to 100M Speed and Full Duplex, as shown in Figure 1-3.



The numbers above and below the port LEDs identify the LEDs associated with a specific RJ-45 port.

The port LEDs are grouped to the left of their corresponding RJ-45 ports. Table 1-2 defines the performance of the port LEDs for the 10Base-T/100Base-TX ports in both the default configuration and with the LED mode button pressed.

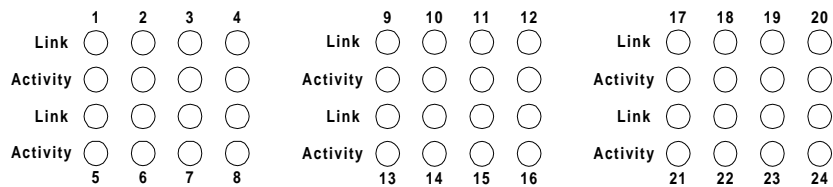


Figure 1-2. Port LEDs Default Configuration

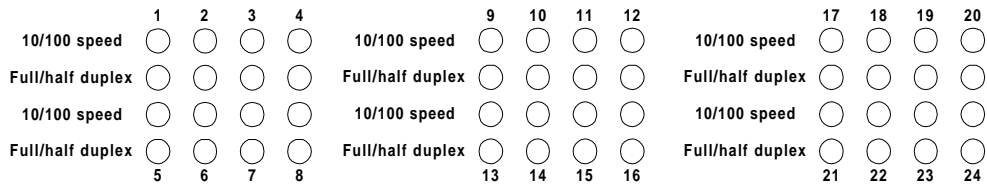


Figure 1-3. Port LEDs LED Mode Button Pressed

Table 1-2. Port LEDs Defined

Name	Function
Default Configuration	Link LED On: Indicates a valid connection (link) on the associated port. Link LED Off: Indicates no link on the associated port. Activity LED flashing: Indicates the presence of transmit and/or receive activity. Activity LED Off: Indicates the absence of transmit or receive activity.
LED mode button pressed	Speed LED On: Indicates the port is in the 100Base-TX mode. Speed LED Off: Indicates the port is in the 10Base-T mode. Duplex LED On: Indicates the port is in the full duplex mode. Duplex LED Off: Indicates the port is in the half duplex mode.

Rear Panel

Figure 1-4 shows the ELS100-24TX rear panel and Table 1-3 defines the rear panel components.

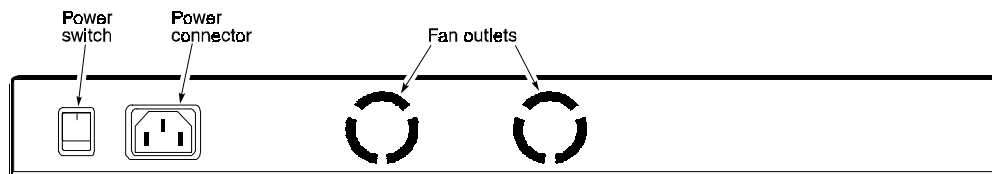


Figure 1-4. ELS100-24TX Rear Panel

Table 1-3. Rear Panel Components

Name	Function
Power Connector	Provides AC power to the switch.
Power Switch	Allows you to turn the switch power on and off.
Fan Outlets	Air exit vents through which internal fans discharge air for ventilation purposes.

Feature Summaries

The following summaries provide a brief description of ELS100-24TX features in areas such as standards compliance, functionality, performance, and options.

IEEE 802.1D Bridge

The ELS100-24TX switch is fully compliant with IEEE 802.1D transparent bridging specifications. An aggregate address table containing 4096 entries per 8 switch ports is provided for learning, filtering, and forwarding. The switch can support up to a maximum of 12,288 addresses. Addresses are automatically learned by the switch, and can be individually assigned specific forwarding treatment by the network administrator if desired. Forwarding table configuration can be made out-of-band via the console interface or in-band via SNMP or Telnet. Static and dynamic addresses are both stored in this table. One static address is assigned per port by default. The Forwarding Table Configuration screen in the console menus allows you to assign additional static addresses if required.

Spanning Tree Protocol

The ELS100-24TX switch supports the IEEE 802.1D Spanning Tree Protocol. This protocol allows redundant connections to be created between different LAN segments for purposes of fault tolerance. Two or more physical paths between different segments can be created through the switch, with the Spanning Tree Protocol choosing a single path at any given time and disabling all others. If the chosen path fails for any reason, a disabled alternative is activated, thereby maintaining the connection. This prevents network traffic from circulating in an endless loop formed by multiple connections to the same LAN segment.

Spanning Tree parameters are configurable in the Spanning Tree Configuration Menu using the console menus or via SNMP (see Appendix B, "Spanning Tree Concepts," for more information).

Frame Buffering and Frame Latency

The ELS100-24TX switch is a store-and-forward switching device. Each frame is copied into switch memory before being forwarded to another port. This method ensures that all forwarded frames conform to a standard Ethernet frame size and have a correct cyclic redundancy check (CRC) for data integrity. This switching method prevents bad frames from traversing the network and using up valuable network bandwidth, as with cut-through switching technology.

To minimize the possibility of dropping frames on congested ports, the ELS100-24TX switch provides 4 MB of dynamically allocated frame buffering per 8 ports. This buffer space is used to queue packets for transmission on congested networks. This is an additional advantage over cut-through switching technology, which drops packets immediately when experiencing collisions.

Software Download

The ELS100-24TX switch supports the industry-standard Trivial File Transfer Protocol (TFTP) for downloading software to the switch. All switch software is stored in a 2 MB sectored flash ROM. The download feature allows you to easily install software upgrades to the unit. Software can alternatively be downloaded via the serial console port using the XMODEM protocol.

A TFTP or XMODEM software download is invoked via the Download Software Menu using the console menus. A TFTP download can also be invoked via SNMP.

Non-volatile Parameter Storage

Important operating parameters such as IP addresses, Spanning Tree configuration, and management security parameters, are stored in non-volatile Flash memory. These values are retained when the switch experiences power interruptions or is powered down for normal maintenance.

Configuration and Management Interfaces

The ELS100-24TX switch can be managed using any of the following three methods:

- **Serial console, out-of-band**

An RS-232 connection, using a DB-9 connector, is supported for out-of-band switch management. Serial console management is performed using a terminal, or computer system running communications software. See Chapter 3, “ELS100-24TX User Interface,” for more detailed information on managing the ELS100-24TX switch via the serial console.
- **Telnet, in-band (over Ethernet)**

The switch supports management through a Telnet connection using the TCP/IP protocols. Telnet is performed using an ASCII terminal or computer system running communications software. See Chapter 3, “ELS100-24TX User Interface,” for more detailed information on managing the switch via the serial console. Global password protection for changing the operating parameters of the switch is provided.
- **SNMP-based network manager, in-band**

The switch can be managed using SNMP, the most common protocol used today for network management. Standard agent MIBs embedded in the switch provide basic SNMP management through industry-standard SNMP applications.

Management security protection is provided based on SNMP community names. See Chapter 5, “SNMP Management,” for more information.

RMON

RMON (Remote Monitoring) is a facility used to manage networks remotely while providing multi-vendor interoperability between monitoring devices and management stations. RMON is defined by an SNMP MIB. This MIB is divided into nine different groups, each gathering specific statistical information or performing a specific function. RMON-capable devices gather network traffic data and then store them locally until downloaded to an SNMP management station.

The ELS100-24TX supports four of the nine groups of RMON defined for Ethernet networks on a per port basis. Specifically, these are:

- **Statistics:** a function that maintains counts of network traffic statistics such as number of packets, broadcasts, collisions, errors, and distribution of packet sizes.
- **History:** a function which collects historical statistics based on user-defined sampling intervals. The statistical information collected is the same as the Statistics group, except on a time stamped basis.
- **Alarm:** a function that allows managers to set alarm thresholds based on traffic statistics. Alarms trigger other actions through the Event group.
- **Event:** a function that operates with the Alarm group to define an action that will be taken when an alarm condition occurs. The event may write a log entry and/or send a trap message.

RMON Statistics group information is displayed on the Port Statistics Screen in the console menus. Additional RMON functionality is available via SNMP.

Port Mirroring

The ELS100-24TX switch includes the ability to mirror the traffic being switched on any port for purposes of network traffic analysis and connection integrity. When this feature is enabled, a protocol analyzer or RMON probe is connected to any port in a group of eight. This port is configured to mirror the traffic from any other port in the same group of ports. The groupings are ports 1-8, 9-16 and 17-24. You can only mirror one port to another port at one time. Port mirroring occurs at the same speed configured for the port (10Mbps-to-10Mbps or 100Mbps-to-100Mbps). Port mirroring is configurable in the Switch Configuration Menu using the console menus or via SNMP.

Auto-negotiation

Auto-negotiation is a process that permits the switch to automatically select the operational modes of its ports. Upon first being connected, the switch detects the speed of the network the port is connected to, either 10Mbps or 100Mbps, and the type of communication setting, half or full duplex. The port is then automatically set by the switch to operate in the proper mode, without user intervention. It is not required that the network device being connected to the switch supports auto-negotiation as the

ELS100-24TX switch automatically adjusts to the network device's communication settings. Auto-negotiation is configurable in the Port Configuration Menu of the console menus or via SNMP.

Broadcast Throttling

The ELS100-24TX has the capability to throttle (or limit) the flooding of packets through the switch. Broadcast, multicast, and unknown destination address unicast packets received by the switch are typically flooded to all ports on the switch or on a given VLAN. When the number of these types of packets being forwarded is large, the performance of the switch in forwarding packets of other types may suffer. A programmable broadcast cutoff rate parameter allows a rate threshold to be set in the switch for the forwarding of broadcast and unknown destination address packets. If the cutoff rate is exceeded, further packets of these types are dropped. This capability helps to alleviate broadcast storms, a problem often encountered in Ethernet networks. Broadcast throttling is configurable in the Switch Configuration menu of the console menus or via SNMP.

BootP/DHCP

The Bootstrap Protocol (BootP) and the Dynamic Host Configuration Protocol (DHCP) provide for the capability of passing configuration information to hosts on a TCP/IP network. Using this process, network devices do not need to be configured before they can communicate using the TCP/IP protocol suite. The ELS100-24TX switch uses BootP and DHCP to automatically configure IP address information without requiring access to the console menus. BootP/DHCP operation is configurable using the BootP/DHCP Enable option in the System Configuration Menu of the console menus or via SNMP.

LEDs

The switch port LEDs provide a quick and accurate display of the integrity of switch connections and switch mode. The operation of the port LEDs can be changed by use of the LED mode button on the switch front panel. The default operation of the LEDs indicates Link (L) and Activity (A) for each of the ports. When the LED mode button is pressed (pressed and held in), the operation of the LEDs changes to indicate 10/100 Mbps speed and full/half duplex operation, respectively.

Full Duplex Mode

The full duplex mode of operation on a port can double the throughput of switch connections. This mode disables the collision detection portion of the Ethernet Carrier Sense Multiple Access with Collision Detection (CSMA/CD) protocol, allowing for two-way traffic. Full duplex is configurable using the Duplex Mode parameter in the Port Menu of the console menus or via SNMP.

Flow Control

Flow control allows you to manage network traffic during congestion periods and to prevent the loss of packets when port buffer thresholds are exceeded. Flow control also serves to deny access to additional traffic that could add to a congestion condition. The ELS100-24TX switch supports flow control per the IEEE 802.3x standard. See Appendix C, “Flow Control,” for more information on this feature.

Virtual LANs (VLANs)

VLANs allow you to connect users to a specific LAN segment regardless of their physical location. The ELS100-24TX switch supports tagged VLANs per the IEEE 802.1Q draft standard. With frame tagging, a short tag is appended to every frame that crosses the network backbone. The tag identifies which VLAN the frame belongs to. See Appendix D, “Virtual LANs,” for more information.

Class of Service

Class of Service support allows you to assign a higher priority to selected traffic passing through the switch. The ELS100-24TX switch supports Class of Service attributes per the IEEE 802.1p draft standard using a priority queuing mechanism. This feature ensures that traffic during congestion periods will not interfere with traffic assigned a higher priority. Traffic assigned a lower priority is subject to discard when memory is in short supply. See Appendix E, “Class of Service,” for more information.

Application Examples

The exploding popularity of the Internet and of corporate intranets, as well as new, high-bandwidth desktop applications, are driving the demand for Fast Ethernet. The increase in multimedia traffic and the need to support legacy protocols alongside new, data intensive applications is driving the need for network segmentation and traffic prioritization.

The ELS100-24TX switch is ideal for meeting the needs of today's high performance networks. The switch's low cost and high port count makes it attractive and affordable for dedicated 10/100Mbps connections to the desktop. In addition, extensive features, including redundant links, traffic Class of Service and VLAN capability, provide the management needed for the workgroup and local backbone.

The following sections illustrate the ELS100-24TX switch employed in application examples:

- Client/Server Network
- Local Backbone

Client/Server Network Application

To improve workstation performance in a client/server environment, the ELS100-24TX switch can be configured to provide 200 Mbps full duplex Fast Ethernet connections to servers by connecting each to a dedicated switch port (Figure 1-5). Users can be accommodated through connections to hubs, both at 10Mbps and 100Mbps speeds, through 10Mbps switches with 100Mbps uplinks, or through direct connections.

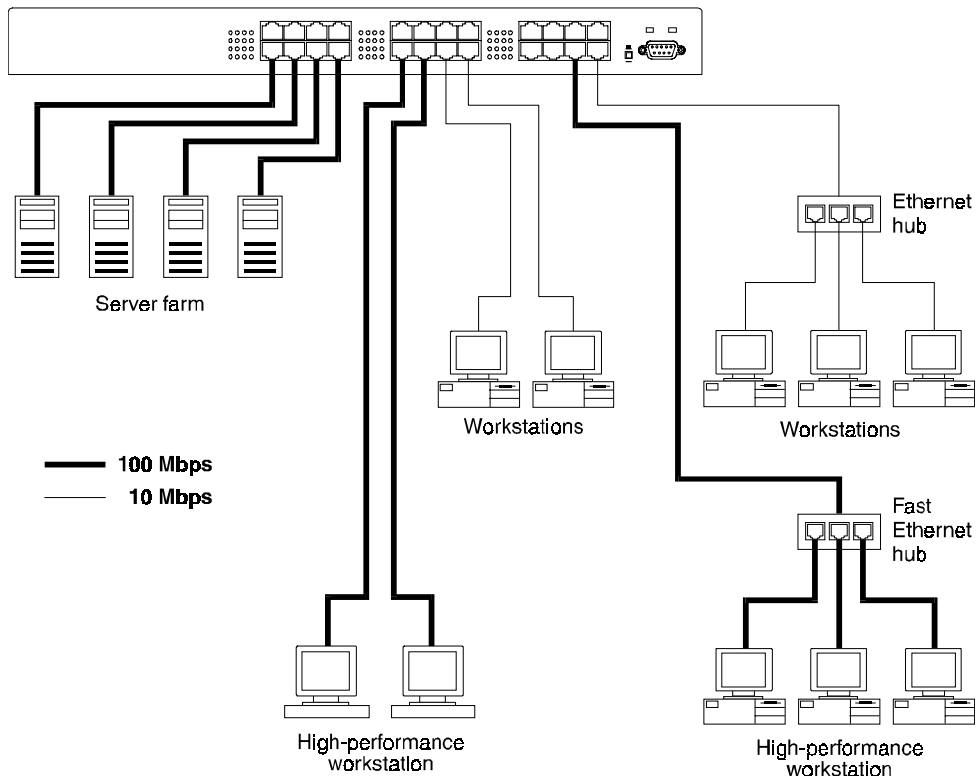


Figure 1-5. Client/Server Network Application

Local Backbone Application

The ELS100-24TX switch can be used in a local backbone application, connecting network segments together and providing file-server access (Figure 1-6). Workgroup hubs are provided with a single connection to the switch while servers are put on dedicated 100 Mbps ports. Routers and other networking devices can connect off of the switched backbone as well.

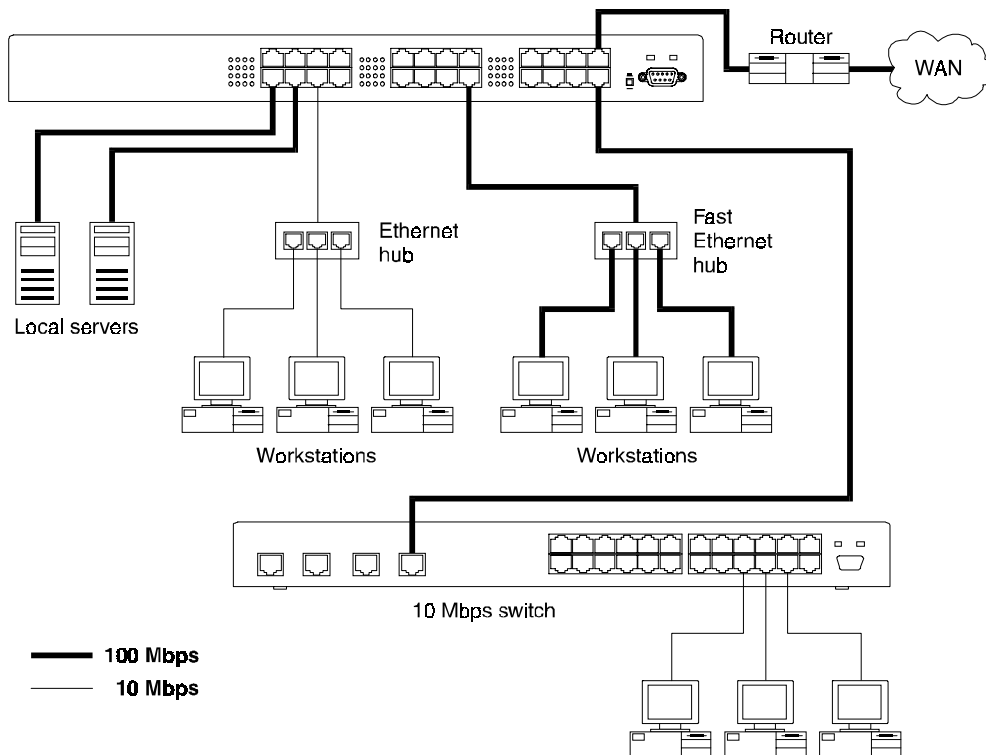


Figure 1-6. Local Backbone Application

2. INSTALLATION

Inspecting Your Shipment

When you receive the shipment of your switch, check the package contents and make sure you have the following items:

- ELS100-24TX Ethernet switch
- Mounting ears and mounting screws
- Power cord
- This document

Site Requirements

Before you install the switch, make sure the site meets the following requirements:

- **Mounting**
Provide a flat table, wall or shelf surface, or an optional 19 in. (48.3 cm) equipment rack.
Use an EIA standard equipment rack that is grounded and physically secure.
- **Power source**
Provide a power source within six feet (1.8 m) of the installation location. This source must provide 100 VAC to 240 VAC, and 50 Hz to 60 Hz power, with a 100 VA minimum. Power specifications for the switch are shown in Appendix A, "Technical Specifications."



Primary voltage selection within the above ranges is automatic and requires no user action.

- **Environmental**
Install the ELS100-24TX switch in a dry area, with adequate air circulation. Avoid placing the switch in direct sunlight or near other heat sources, such as hot-air vents. For temperature and humidity specifications, see Appendix A, "Technical Specifications."
- **Ventilation**
Do not restrict airflow by covering or obstructing air inlets on the side of the switch or the rear panel internal air fan exits.

Mounting the Switch on a Table or Shelf

Mount the switch on a table or shelf in a position which allows access to the front panel RJ-45 ports, visibility of the port LEDs, and access to the power connector. Make sure that the mounting surface can safely support the switch and that there is adequate space around the switch for ventilation and cooling.

Mounting the Switch on a Wall

The switch ships with two (2) multi-position mounting ears and four (4) mounting screws.



The mounting screws are used to attach the mounting ears to the switch. Once the ears are attached to the switch, you will need to provide appropriate screws to mount the switch to the wall.

Figure 2-1 shows the orientation of the mounting ears for attaching the ears to the switch for a wall mount application. Be sure that the wall surface can safely support the switch.

Do the following:

1. Mount one of the ears to the switch using two (2) of the supplied screws. Repeat this step for the other side of the switch.
2. Mount the switch to the wall using appropriate screws.

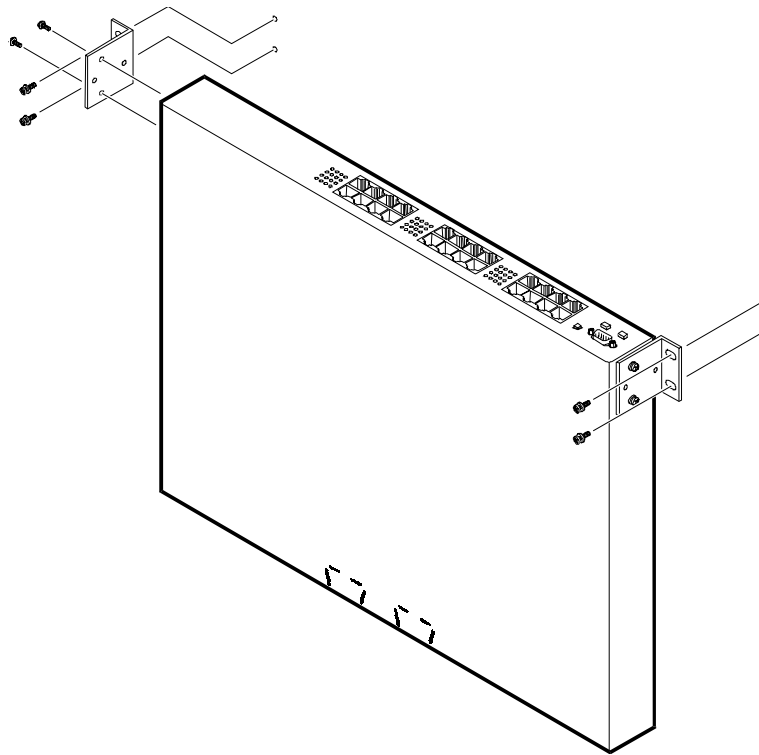


Figure 2-1. Mounting the Switch on a Wall

Mounting the Switch in a Rack

The switch ships with two (2) multi-position mounting ears and four (4) mounting screws.



The mounting screws are used to attach the mounting ears to the switch. Once the ears are attached to the switch, you will need to provide appropriate screws to mount the switch in a rack.

Figure 2-2 shows the orientation of the mounting ears for attaching the ears to the switch for a rack mount application. Mount the switch with the front panel facing forward. Do the following:

1. Mount one of the ears to the switch using two (2) of the supplied screws. Repeat this step for the other side of the switch.
2. Slide the switch into the rack and align the holes in the rack mounting ears with the holes in the rack rails.
3. Insert and tighten appropriate rack-mounting screws (not provided)

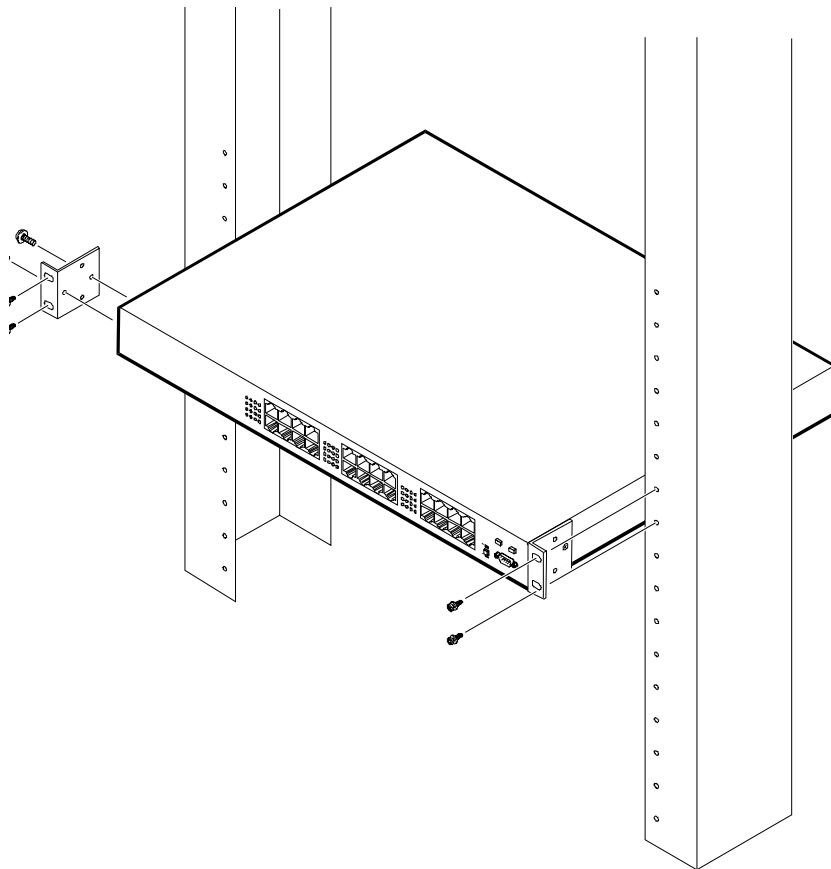


Figure 2-2. Mounting the Switch in a Rack

Connecting a Terminal to the Console Port

The console port is a serial RS-232 interface port that enables a connection to a terminal for performing switch monitoring and configuration functions. The terminal may be a PC or workstation running terminal emulation software, or a dumb terminal configured as a Data Terminal Equipment (DTE) connection. Alternatively, this port can be connected to an external modem to enable remote dial-in management.

If you connect a terminal to the console port prior to powering the switch, you can observe the progress and results of the power-up diagnostics as the switch goes through its initialization process.

The console port connector is configured as a female null modem connection using a female DB-9 (see Table A-1 for pinouts). A standard straight-through wired RS-232 cable is typically all that is needed to connect to this interface. Any cable connected to the console port must be shielded to comply with emissions regulations and requirements.

To connect the ELS100-24TX console port to a terminal, do the following:

1. Connect a terminal to the console port using an interface cable (Figure 2-3).

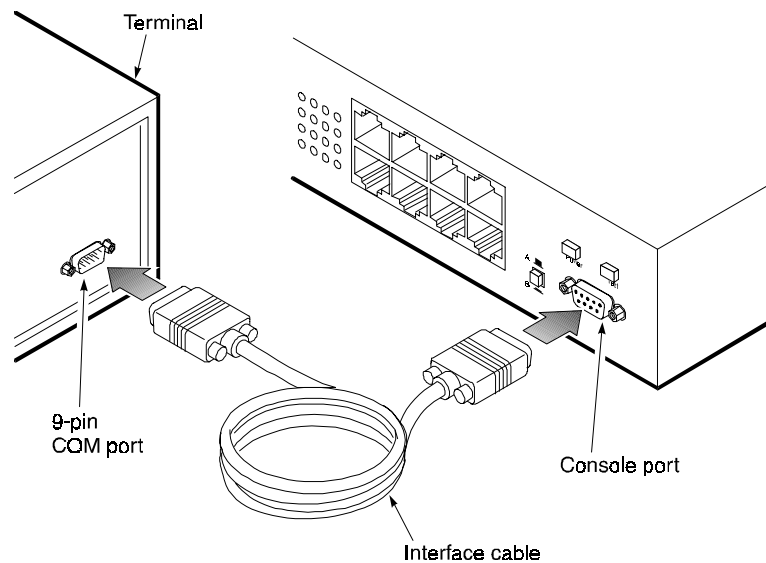


Figure 2-3. Connecting a Terminal to the Console Port

2. Connect the male connector of the interface cable directly to the switch console port and tighten the captive retaining screws.
3. Connect the other end of the interface cable to a terminal (in some instances, an adapter may be required to make this connection).
4. From your terminal, start the terminal emulation program.
5. Configure the terminal to the following communication settings:
9600 baud, no parity, 8 data bits, 1 stop bit, No hardware flow control, ASCII character set.

Powering the Switch

To supply power to the switch, do the following:

1. Connect the power cord to the switch and to a grounded three-prong wall outlet (Figure 2-4). See Appendix A, “Power Cord Set Requirements,” for more information regarding specific international power cord requirements.

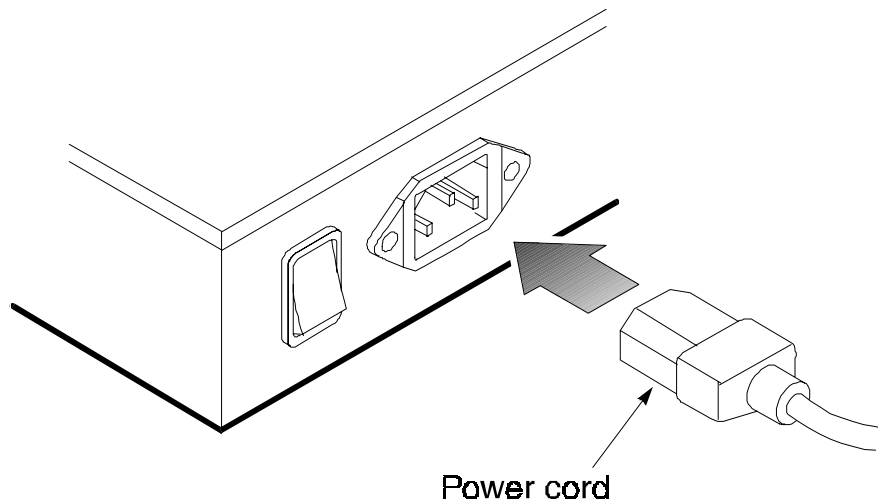


Figure 2-4. Connecting the Power Cord to the Switch

2. Turn on the power switch.

The Power LED lights green (see Figure 1-1). If it does not, check to make sure that the power cable is plugged in correctly and that the power source is good.

Power-Up

When you turn the power on, the switch conducts a series of hardware and software tests to verify correct operation. If a terminal or computer is connected to the console port, the results of the tests are displayed on the screen. If you want to display the results of the tests after the switch has already been turned on, turn the power switch off and then back on.

The switch performs two basic types of tests at power-up. During this time, the Test LED (see Figure 1-1) lights steady green. These tests are:

- Serial port
The serial console port test is the first test performed. If the switch fails this test, no further tests are performed, and the console displays no information.
- Memory
Memory tests on the CPU RAM are performed after the serial port test. No results are displayed on the console.

After these two tests are performed, the operational software of the switch is loaded. A series of more extensive diagnostic tests are then conducted during which the Test LED remains lit. The results of the tests are displayed on the terminal. If all tests pass, the Test LED turns off. When all tests are complete, the system is functional and the user interface is ready to receive commands at the console.

Connecting Network Cables

Network cable must comply with the following requirements:

- Category 3 or 5 Unshielded Twisted Pair (UTP) for ports running 10Base-T
- Category 5 UTP for ports running 100Base-TX
- Maximum length for UTP connections: 100m (328 ft.)

RJ-45 Connector

The 10Base-T/100Base-TX ports use RJ-45 connectors. Figure 2-5 shows an RJ-45 connector being inserted into a port.

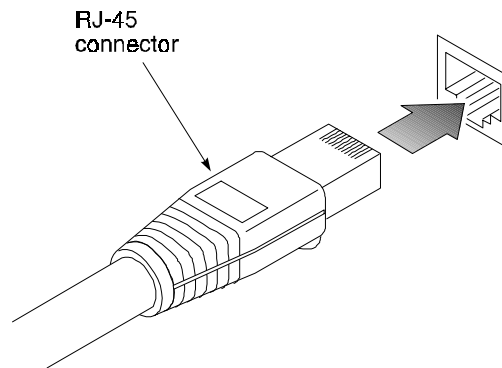


Figure 2-5. Inserting an RJ-45 Connector into a Port

10Base-T/100Base-TX Ports

The 10Base-T/100Base-TX ports use RJ-45 connectors for connection to 10Base-T or 100Base-TX network segments or end-stations. These UTP connections meet the requirements of ISO 8877, specified by 10Base-T, Section 14 of the IEEE 802.3 specification. The ports are wired with the MDI-X function implemented. Workstations or servers can be connected to the ELS100-24TX switch using standard straight-through wired cables.

For connections to hubs or other switches, a crossover cable may be necessary (refer to the “MDI/MDI-X Crossover Cable Wiring” section in Appendix A). See Table A-2 for 10Base-T/100Base-TX connector pin assignments.

3. ELS100-24TX USER INTERFACE

Overview

When you have connected a terminal to the console port, or used Telnet to access the switch over the network, access is gained to the console menus. These menus allow you to reconfigure the switch from its factory default settings, as well as to monitor switch status and performance. The menus have a layout similar to the sample Main Menu shown in Figure 3-1. The information is divided into the following parts:

- Menu Identification (includes model number)
- Menu Name (includes access privileges)
- Selectable Items listed by letters
- Screen Prompt for menu selections and entry of field parameters, and Message Area for display of next entry option, parameters, or error messages.

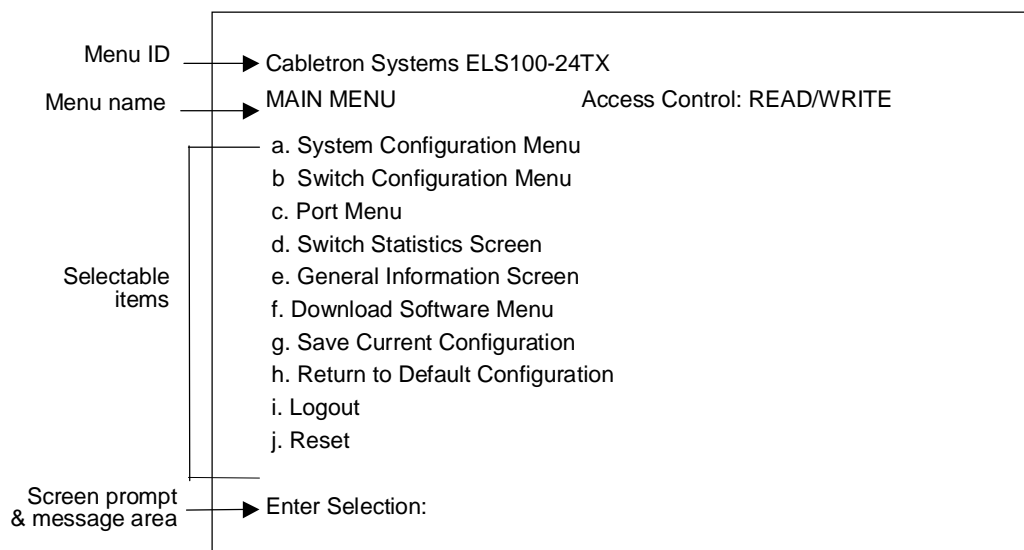


Figure 3-1. Sample Main Menu

User Access

There are two modes of access to the user interface: READ-ONLY and READ/WRITE. READ-ONLY access allows you to view switch information, but not modify any operating parameters. READ/WRITE access allows you to both read and modify switch information. You are required to login with a password before obtaining READ/WRITE access. If no password is entered (press only the [Enter] key), you are logged in with READ-ONLY access. No password is configured in the factory default settings, allowing full READ/WRITE access until a password is set.

To use the console menus, do the following:

1. Type the letter associated with the desired option.

If the selected item is a submenu title, the submenu is displayed when you enter the letter.

2. Enter the parameter requested by the screen prompt.

If the selected item is a parameter, the system displays a prompt for the entry of a new parameter value. If the value entered is invalid, a beep sounds, or a message displays, requesting you to enter a valid value.

Factory Defaults

Table 3-1 lists the factory default settings for the switch configuration parameters. Each of these parameters can be changed via the console menus or Telnet.

Table 3-1. Factory Default Settings

Parameter	Default Value
Active Aging Time	300
Auto-negotiation Enable	Yes
Broadcast Cutoff Rate	500000
BootP/DHCP Enable	Yes
Bridge Priority	32768
Class of Service Enable	No
Class of Service Port Priority	0
Class of Service Priority Threshold	4
Flow Control Enable	No
Forward Delay	15
Full Duplex	Yes
Hello Time	2
Max Age	20
Password	<none>
Path Cost	10 for 100Mbps speed ports 100 for 10Mbps speed ports
Port Enable	Yes
Port Priority	128
Port Speed	100
Port Mirroring Enable	No
Screen Timeout	0
SNMP Private Community Name	private
SNMP Public Community Name	public
Spanning Tree Protocol Enable	Yes
Terminal Baud Rate	9600
Terminal Hardware Flow Control	No
VLAN Enable	No
VLAN Port Type	Access

Menu Hierarchy

Figure 3-2 shows the ELS100-24TX switch user interface menu hierarchy.

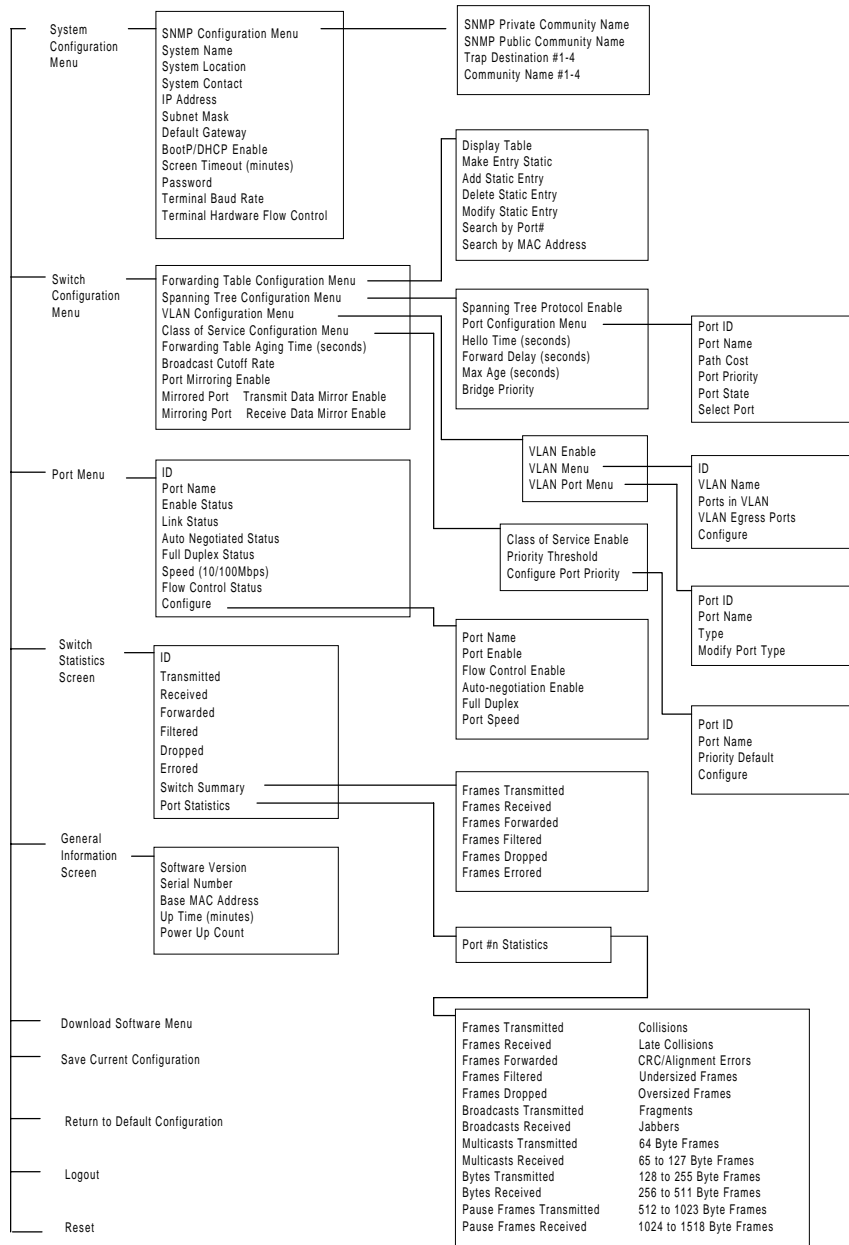


Figure 3-2. ELS100-24TX User Interface Menu Hierarchy

Main Menu

The Main Menu is the first screen seen after successfully logging in to the system. Figure 3-3 shows the Main Menu and the accompanying table describes the Main Menu.

MAIN MENU	Access Control: READ/WRITE
a. System Configuration Menu	
b. Switch Configuration Menu	
c. Port Menu	
d. Switch Statistics Screen	
e. General Information Screen	
f. Download Software Menu	
g. Save Current Configuration	
h. Return to Default Configuration	
i. Logout	
j. Reset	
x. Previous Menu	
Enter Selection:	

Figure 3-3. Main Menu

Selection	Description
System Configuration Menu	Contains commands and parameters that reflect the global operation of the switch.
Switch Configuration Menu	Provides access to information and parameters affecting the functional operation of the switch. You can configure Forwarding Table, Spanning Tree, and virtual LAN (VLAN).
Port Menu	Shows the configuration of the individual ports on the switch and allows you to modify switch port operation.
Switch Statistics Screen	Presents switch-level and port-level statistics.
General Information Screen	Displays the system software version, switch serial number, base MAC address, system up time and power-up count.
Download Software Menu	Contains parameters and commands for initiating a software download to upgrade the switch operating software.
Save Current Configuration	Saves current switch operating parameters to non-volatile memory.
Return to Default Configuration	Restores switch operating parameters to factory defaults. You must reset the switch for activate default parameters.
Logout	Logs out of the console interface. Once you logout, you must enter a password before you can access the console interface again.
Reset	Performs a software reset of the switch by restarting the system software and reloading all operating parameters.

System Configuration Menu

The System Configuration Menu enables modification of system-level switch configuration parameters. Select **a** from the Main Menu to view the System Configuration Menu. Figure 3-4 shows the System Configuration Menu and the accompanying table describes the System Configuration Menu.

SYSTEM CONFIGURATION		Access Control: READ/WRITE
a. SNMP Configuration Menu		
b. System Name		
c. System Location		
d. System Contact		
e. IP Address	000.000.000.000	
f. Subnet Mask	000.000.000.000	
g. Default Gateway	000.000.000.000	
h. BootP/DHCP Enable	Yes	
i. Screen Timeout (minutes)	0	
j. Password	None	
k. Terminal Baud Rate	9600	
l. Terminal Hardware Flow Control	No	
x. Previous Menu		
Enter Selection:		

Figure 3-4. System Configuration Menu

Selection	Description
SNMP Configuration Menu	Menu for configuring SNMP-related parameters.
System Name	The switch administrative name (1-36 character range).
System Location	The physical switch location (1-36 character range).
System Contact	The switch contact person (1-36 character range).
IP Address	The IP address of the switch.
Subnet Mask	Subnet mask associated with the switch IP address.
Default Gateway	The default gateway (or router) to which the switch sends IP packets destined for a different subnet.
BootP/DHCP Enable	Allows you to enable (Yes) or disable (No) the BootP and DHCP protocols for automatically configuring the switch's IP address information.
Screen Timeout (minutes)	The duration of time before a serial console or Telnet session terminates due to user inactivity (0-65535 numeric range). A value of "0" means that the screen will not terminate at any time.
Password	Allows "read/write" access to the user interface, via the serial console or Telnet (1-10 character range).
Terminal Baud Rate	Serial console baud rate (2400, 9600 or 19200).
Terminal Hardware Flow Control	Allows you to enable (Yes) or disable (No) hardware flow control on serial console interface. Signals DTR, RTS and CTS are used for this purpose. Flow control should be enabled if using external modem.

SNMP Configuration Menu

The SNMP Configuration Menu allows you to modify SNMP-related configuration parameters. Select **a** from the System Configuration Menu to view the SNMP Configuration Menu. Figure 3-5 shows the SNMP Configuration Menu and accompanying table describes the SNMP Configuration Menu.

SNMP CONFIGURATION	Access Control: READ/WRITE
a. SNMP Private Community Name	private
b. SNMP Public Community Name	public
c. Trap Destination #1	000.000.000.000
d. Community Name #1	public
e. Trap Destination #2	000.000.000.000
f. Community Name #2	public
g. Trap Destination #3	000.000.000.000
h. Community Name #3	public
i. Trap Destination #4	000.000.000.000
j. Community Name #4	public
x. Previous Menu	
Enter Selection:	

Figure 3-5. SNMP Configuration Menu

Selection	Description
SNMP Private Community Name	The community name for read/write SNMP access to the device (1-10 character range; the default name is: "private").
SNMP Public Community Name	The community name for read only SNMP access to the device (1-10 character range; the default name is: "public").
Trap Destination #1	The IP address of trap destination #1 where SNMP trap messages are forwarded.
Community Name #1	The SNMP community name to use for traps forwarded to trap destination #1.
Trap Destination #2	The IP address of trap destination #2 where SNMP trap messages are forwarded.
Community Name #2	The SNMP community name to use for traps forwarded to trap destination #2.
Trap Destination #3	The IP address of trap destination #3 where SNMP trap messages are forwarded.
Community Name #3	The SNMP community name to use for traps forwarded to trap destination #3.
Trap Destination #4	The IP address of trap destination #4 where SNMP trap messages are forwarded.
Community Name #4	The SNMP community name to use for traps forwarded to trap destination #4.

Switch Configuration Menu

The Switch Configuration Menu allows you to modify switching-related configuration parameters. Select **b** from the Main Menu to view the Switch Configuration Menu. Figure 3-6 shows the Switch Configuration Menu and the accompanying table describes the Switch Configuration Menu.

SWITCH CONFIGURATION		Access Control: READ/WRITE
a.	Forwarding Table Configuration Menu	
b.	Spanning Tree Configuration Menu	
c.	VLAN Configuration Menu	
d.	Class of Service Configuration Menu	
e.	Forwarding Table Aging Time(seconds)	300
f.	Broadcast Cutoff Rate	500000
g.	Port Mirroring Enable	No
h.	Mirrored Port	2
i.	Mirroring Port	1
j.	Transmit Data Mirror Enable	Yes
k.	Receive Data Mirror Enable	No
x.	Previous Menu	
Enter Selection:		

Figure 3-6. Switch Configuration Menu

Selection	Description
Forwarding Table Configuration Menu	Menu for configuring the switch forwarding table.
Spanning Tree Configuration Menu	Menu for configuring the switch Spanning Tree operation.
VLAN Configuration Menu	Menu for configuring the VLAN operation of the switch.
Class of Service Configuration Menu	Menu for configuring Class of Service for the switch.
Forwarding Table Aging Time	Time in seconds until entries in the filter table are aged out if not accessed (10-1,000,000 second range).
Broadcast Cutoff Rate	Per second rate past which broadcast and destination unknown unicast frames are not flooded on each group of 8 ports on the switch (100-500,000 frames per second range).
Port Mirroring Enable	Allows you to enable (Yes) or disable (No) port mirroring.
Mirrored Port	The source port for the data to be mirrored.
Mirroring Port	The destination port for the data to be mirrored.
Transmit Data Mirror Enable *	Allows you to enable (Yes) or disable (No) the mirroring of data transmitted out the mirrored port.
Receive Data Mirror Enable *	Allows you to enable (Yes) or disable (No) the mirroring of data received by the mirrored port.

***Only one of these options can be enabled at any given time. Changing the setting of one of these options automatically changes the setting of the other option.**

Forwarding Table Configuration Menu

The Forwarding Table Configuration Menu allows you to view and modify forwarding table parameters. The MAC address of each forwarding table entry is displayed along with its type, disposition, and associated port number. Select **a** from the Switch Configuration Menu to view the Forwarding Table Configuration Menu. Figure 3-7 shows the Forwarding Table Configuration Menu and the accompanying table describes the Forwarding Table Configuration Menu.

FORWARDING TABLE CONFIGURATION			Access Control: READ/WRITE	
MAC ADDRESS	TYPE	DISPOSITION	PORT ID	PORT NAME
0a0a0a0a0a0a	DYNAMIC	FORWARD	1	
0a0a0a0a0a0b	DYNAMIC	FORWARD	2	
0a0a0a0a0a0c	DYNAMIC	FORWARD	3	
0a0a0a0a0a0d	DYNAMIC	FORWARD	4	
0a0a0a0a0a0e	DYNAMIC	FORWARD	5	
0a0a0a0a0a0f	DYNAMIC	FORWARD	6	
0a0a0a0a0a10	DYNAMIC	FORWARD	7	
0a0a0a0a0a11	DYNAMIC	FORWARD	8	
n. Next Page p. Previous Page f. First Page l. Last Page a. Display Table b. Make Entry Static c. Add Static Entry d. Delete Static Entry e. Modify Static Entry s. Search by Port # m. Search by MAC Address x. Previous Menu Enter Selection:				

Figure 3-7. Forwarding Table Configuration Menu

Field	Description
MAC Address	MAC address for the listed port.
Type	Displays the type of address entry: system, dynamic or static.
Disposition	Displays disposition of the address entry: local, forward or discard.
Port ID	Displays the port number associated with the MAC address entry.
Port Name	Displays the administrative name assigned to the port.

continued on next page

Forwarding Table Configuration Menu (continued)

Selection	Description
Next Page	Displays the next page of the forwarding table.
Previous Page	Displays the previous page of the forwarding table.
First Page	Displays the first page (top) of the forwarding table.
Last Page	Displays the last page of the forwarding table.
Display Table	Redisplays the forwarding table.
Make Entry Static	Makes a dynamic entry in the forwarding table static.
Add Static Entry	Adds a static entry to the forwarding table.
Delete Static Entry	Deletes a static entry from the forwarding table.
Modify Static Entry	Modifies a static entry from the forwarding table.
Search by Port #	Performs a search by port number and posts the search results at the top of the screen.
Search by MAC Address	Performs a search by MAC Address and posts the search results at the top of the screen.

Spanning Tree Configuration Menu

The Spanning Tree Configuration Menu allows you to view and modify Spanning Tree parameters. Select **b** from the Switch Configuration Menu to view the Spanning Tree Configuration Menu. A letter identifies selections that can be modified. All other fields are read-only. Figure 3-8 shows the Spanning Tree Configuration Menu and the accompanying table describes the Spanning Tree Configuration Menu.

SPANNING TREE CONFIGURATION		Access Control: READ/WRITE
Bridge ID		32768-000000000000
Designated Root		
Root Path Cost		0
Root Port		NO PORT
Topology Change Count		0
a. Spanning Tree Protocol Enable		No
b. Port Configuration Menu		
c. Hello Time (seconds)		2
d. Forward Delay (seconds)		15
e. Max Age (seconds)		20
f. Bridge Priority		32768
x. Previous Menu		
Enter Selection:		

Figure 3-8. Spanning Tree Configuration Menu

Field	Description
Bridge ID	A unique identifier for the bridge (switch) in the Spanning Tree. The ID is a combination of the bridge priority and port 1 MAC address.
Designated Root	The bridge in the Spanning Tree with the lowest Bridge ID value, designated as the root bridge.
Root Path Cost	The cost of the path to the root bridge.
Root Port	The port identifier of the port that offers the lowest cost path to the root bridge.
Topology Change Count	The count of the number of times the network topology has changed from a Spanning Tree reconfiguration.

continued on next page

Spanning Tree Configuration Menu (continued)

Selection	Description
Spanning Tree Protocol Enable	Allows you to enable (Yes) or disable (No) the global Spanning Tree operation on the switch.
Port Configuration Menu	Provides access to the Spanning Tree Port Configuration Menu.
Hello Time (seconds)	The time interval between the sending of Configuration BPDUs by the bridge, if it is root (1-10 second range).
Forward Delay (seconds)	The time interval delay before a port transfers into the forwarding state, if it is root (4-30 second range).
Max Age (seconds)	The maximum age of received protocol information before it is discarded (6-40 second range).
Bridge Priority	A relative priority of bridges, with the lowest value bridge ID indicating the highest priority (0-65535 range).

Spanning Tree Port Configuration Menu

The Spanning Tree Port Configuration Menu allows you to view Spanning Tree Configuration information for all of the ports in a table format. Select **b** from the Spanning Tree Configuration Menu to view the Spanning Tree Port Configuration Menu. Figure 3-9 shows the Spanning Tree Port Configuration Menu and the accompanying table describes the Spanning Tree Port Configuration Menu.

SPANNING TREE PORT CONFIGURATION				Access Control: READ/WRITE
PORT ID	PORT NAME	PATH COST	PORT PRIORITY	PORT STATE
1		10	128	FORWARDING
2		10	128	FORWARDING
3		10	128	FORWARDING
4		10	128	FORWARDING
5		10	128	FORWARDING
6		10	128	FORWARDING
7		10	128	FORWARDING
8		10	128	FORWARDING
9		10	128	FORWARDING
10		10	128	FORWARDING
n. Next Page		p. Previous Page		f. First Page
a. Select Port		r. Refresh		x. Previous Menu
Enter Selection:				

Figure 3-9. Spanning Tree Port Configuration Menu

Field	Description
Port ID	A unique identifier for a port on the bridge (switch).
Port Name	The administrative name assigned to the port.
Path Cost	The contribution of the path through this port, when it is the root port, to the total path cost from this bridge to the root bridge. 10 for 100Mbps ports, 100 for 10Mbps ports.
Port Priority	The relative priority of the port on the bridge.
Port State	The current Spanning Tree state of the port on the bridge, either disabled, listening, learning, forwarding, or blocking.
Selection	Description
Next Page	Displays the next page of the table.
Previous Page	Displays the previous page of the table.
First Page	Displays the first page (top) of the table.
Last Page	Displays the last page of the table.
Select Port	Allows you to enter a port number to view and modify port parameters in the Spanning Tree Port #n Configuration Menu.

Spanning Tree Port #n Configuration Menu

The Spanning Tree Port #n Configuration Menu allows you to view Spanning Tree Port Configuration information for an individual port. Select **a** from the Spanning Tree Port Configuration Menu to view the Spanning Tree Port #n Configuration Menu. Figure 3-10 shows the Spanning Tree Port #n Configuration Menu and the accompanying table describes the Spanning Tree Port #n Configuration Menu. The “Port #n” designation represents the specific port number for configuration.

SPANNING TREE PORT #1 CONFIGURATION		Access Control: READ/WRITE
Port State		DISABLED
MAC Address		0a0a0a0a0a0a
Designated Cost		0
Designated Port		0
Designated Root		
Designated Bridge		
a. Path Cost		10
b. Port Priority		32768
x. Previous Menu		
Enter Selection:		

Figure 3-10. Spanning Tree Port Configuration Menu

Field	Description
Port State	The current Spanning Tree state of the port, either disabled, listening, learning, forwarding, or blocking.
MAC Address	The MAC address of the port.
Designated Cost	The cost of the path to the Root offered by the designated port for the LAN associated with the port.
Designated Port	The Port ID of the port believed to be the designated port for the LAN associated with the port.
Designated Root	The Bridge ID of the bridge recorded as the Root for the LAN associated with the port.
Designated Bridge	The Bridge ID of the bridge believed to be the designated bridge for the LAN associated with the port.
Selection	Description
Path Cost	The contribution of the path through this port, when it is the root port, to the total path cost from this bridge to the root bridge (1-65535 range).
Port Priority	The relative priority of the port on the bridge (0-255 range).

VLAN Configuration Menu

The VLAN Configuration Menu allows you to configure the operation of virtual LANs (VLANs) in the switch. Select **c** from the Switch Configuration Menu to view the VLAN Configuration Menu. Figure 3-11 shows the VLAN Configuration Menu and the accompanying table describes the VLAN Configuration Menu. See Appendix D, “Virtual LANs (VLANs)” for more information about this feature.

VLAN CONFIGURATION		Access Control: READ/WRITE
a. VLAN Enable	No	
b. VLAN Menu		
c. VLAN Port Menu		
x. Previous Menu		
Enter Selection:		

Figure 3-11. VLAN Configuration Menu

Selection	Description
VLAN Enable	Allows you to enable (Yes) or disable (No) the global VLAN operation of the switch.
VLAN Menu	Allows you to open the VLAN Menu.
VLAN Port Menu	Menu for configuring VLAN information per port.

VLAN Menu

The VLAN Menu displays the configuration of VLANs in the switch and allows access to the VLAN #n Configuration Menu to create and configure VLANs. Select **b** from the VLAN Configuration Menu to view the VLAN Menu. Figure 3-12 shows the VLAN Menu and the accompanying table describes the VLAN Menu.

VLAN MENU		Access Control: READ/WRITE	
ID	VLAN NAME	PORTS IN VLAN	VLAN EGRESS PORTS
1	default	1-24	None
c. Configure d. Delete x. Previous Menu			
Enter Selection:			

Figure 3-12. VLAN Menu

Field	Description
ID	The identification number of the VLAN (1-4 character range).
VLAN Name	The administrative name assigned to the VLAN (1-14 character range; entering a VLAN name is not required).
Ports in VLAN	The ports assigned to the VLAN.
VLAN Egress Ports	The egress (exit) ports which link the ELS100-24TX to other devices which also include members of the same VLAN.
Selection	Description
Configure	Allows you to configure an existing VLAN listed in the VLAN table, create a new VLAN (1-4094 numerical range), and to open the VLAN #n Configuration Menu.
Delete	Allows you to delete a specific VLAN.

VLAN #n Configuration Menu

The VLAN #n Configuration Menu allows you to configure a name for a specific VLAN, add or remove a port in the VLAN, and add or remove an egress port in the VLAN. Select **c** from the VLAN Menu to view the VLAN #n Configuration Menu. Figure 3-13 shows the VLAN #n Configuration Menu and the accompanying table describes the VLAN #n Configuration Menu.



The designation “#n” represents the number of the specific VLAN to be configured.

When configuring ports using the Ports in VLAN parameter, they will be moved to that selected VLAN, and automatically removed from their previous VLAN.

VLAN #n CONFIGURATION		Access Control: READ/WRITE
Ports in VLAN	1-24	
VLAN Egress Ports	None	
a. VLAN Name		default
b. Add Port in VLAN		
c. Remove Port In VLAN		
d. Add VLAN Egress Port		
e. Remove VLAN Egress Port		
x. Previous Menu		
Enter Selection:		

Figure 3-13. VLAN #n Configuration Menu

Field	Description
Ports in VLAN	Lists the ports in the specific VLAN.
VLAN Egress Ports	Lists the VLAN Egress Ports for the specific VLAN.
Selection	Description
VLAN Name	Allows you to enter an administrative name for the VLAN (1-14 character range; entering a VLAN name is not required).
Add Port in VLAN	Allows you to enter a port in the VLAN.
Remove Port in VLAN	Allows you to remove a port in the VLAN.
Add VLAN Egress Port	Allows you to add a VLAN Egress Port.
Remove VLAN Egress Port	Allows you to remove a VLAN Egress Port.

VLAN Port Menu

The VLAN Port Menu displays a table of VLAN configuration information on a per port basis and allows you to modify the VLAN Port Type. Select **c** from the VLAN Configuration Menu to view the VLAN Port Menu. Figure 3-14 shows the VLAN Port Menu and the accompanying table describes the VLAN Port Menu.

VLAN PORT MENU		Access Control: READ/WRITE	
PORT ID	PORT NAME	TYPE	

1		ACCESS	
2		ACCESS	
3		ACCESS	
4		ACCESS	
5		ACCESS	
6		ACCESS	
7		ACCESS	
8		ACCESS	
9		ACCESS	
10		ACCESS	
n. Next Page	p. Previous Page	f. First Page	l. Last Page
a. Modify Port Type	x. Previous Menu		
Enter Selection:			

Figure 3-14. VLAN Port Configuration Menu

Field	Description
Port ID	The number assigned to the port.
Port Name	The administrative name assigned to the port
Type	The VLAN type for each port (either Hybrid or Access). Hybrid ports accept tagged and non-tagged frames while Access ports only allow non-tagged frames.
Selection	Description
Next Page	Displays the next page of the table.
Previous Page	Displays the previous page of the table.
First Page	Displays the first page of the table.
Last Page	Displays the last page of the table.
Modify Port Type	Allows you to modify the port type (either Hybrid or Access).

Class of Service Configuration Menu

The Class of Service Configuration Menu allows you to configure Class of Service settings for the system as well as to set the Class of Service for VLAN tagged frames. Select **d** from the Switch Configuration Menu to view the Class of Service Configuration Menu. Figure 3-15 shows the Class of Service Configuration Menu and the accompanying table describes the Class of Service Configuration Menu.

CLASS OF SERVICE CONFIGURATION		Access Control: READ/WRITE
a. Class of Service Enable	No	
b. Priority Threshold	4	
c. Configure Port Priority		
x. Previous Menu		
Enter Selection:		

Figure 3-15. Class of Service Configuration Menu

Selection	Description
Class of Service Enable	Allows you to enable (Yes) or disable (No) Class of Service operation for the system.
Priority Threshold	Allows you to enter the global priority threshold level. The configurable range is 0-7 (0=low, 7=high). VLAN tagged frames with a priority level below this threshold level will be assigned normal priority level through the switch. VLAN tagged frames with a priority level equal to or greater than this threshold level will be assigned high priority through the switch.
Configure Port Priority	Allows you to open the Port Priority Menu for configuring Class of Service information per port.

Port Priority Menu

The Port Priority Menu allows you to modify and display a table which shows priority queuing configuration information on a per port basis. Select **c** from the Class of Service Configuration Menu to view the Port Priority Configuration Menu. Figure 3-16 shows the Port Priority Configuration Menu and the accompanying table describes the Port Priority Configuration Menu.

PORT PRIORITY		Access Control: READ/WRITE	
PORT ID	PORT NAME	PRIORITY DEFAULT	
1		0	
2		0	
3		0	
4		0	
5		0	
6		0	
7		0	
8		0	
9		0	
10		0	
n. Next Page	p. Previous Page	f. First Page	l. Last Page
c. Configure	x. Previous Menu		
Enter Selection:			

Figure 3-16. Port Priority Configuration Menu

Field	Description
Port ID	The port number assigned to the port.
Port Name	The administrative name assigned to the port (1-14 character range).
Priority Default	The priority level assigned to non-tagged frames entering the associated port. The configurable range is 0-7 (0=low, 7=high). This value, compared to the Priority Threshold Value, determines the priority level assigned to all non-tagged frames.
Selection	Description
Next Page	Displays the next page of the table.
Previous Page	Displays the previous page of the table.
First Page	Displays the first page of the table.
Last Page	Displays the last page of the table.
Configure	Allows you to configure the priority default for a specific port (0-7 number range).

Port Menu

The Port Menu allows you to display information for each port in a table format, as well as to access the Port Configuration Menu. You can also refresh the screen information. Select **c** from the Main Menu to view the Port Menu. Figure 3-17 shows the Port Menu and the accompanying table describes the Port Menu.

PORT MENU		Access Control: READ/WRITE						
ID	PORT NAME	ENABLED	LINK STATUS	AUTO NEGOTIATED	FULL DUPLEX	SPEED	TYPE	FLOW CONTROL
1		Yes	CONNECTED	No	Yes	100	100TX	No
2		Yes	CONNECTED	No	Yes	100	100TX	No
3		Yes	CONNECTED	No	Yes	100	100TX	No
4		Yes	CONNECTED	No	Yes	100	100TX	No
5		Yes	CONNECTED	No	Yes	100	100TX	No
6		Yes	CONNECTED	No	Yes	100	100TX	No
7		Yes	CONNECTED	No	Yes	100	100TX	No
8		Yes	CONNECTED	No	Yes	100	100TX	No
9		Yes	CONNECTED	No	Yes	100	100TX	No
10		Yes	CONNECTED	No	Yes	100	100TX	No
11		Yes	CONNECTED	No	Yes	100	100TX	No
12		Yes	CONNECTED	No	Yes	100	100TX	No
n. Next Page		p. Previous Page		f. First Page		l. Last Page		
r. Refresh		c. Configure		x. Previous Menu				
Enter Selection:								

Figure 3-17. Port Menu

Field	Description
ID	The number assigned to the port.
Port Name	The administrative name assigned to the port (1-14 character range).
Enabled	The current "enabled" state of the port, either "Yes" or "No."
Link Status	The current link state of the port, either "Connected" or "Disconnected."
Auto Negotiated	The current state of auto-negotiation for the port, whether or not it has completed auto-negotiation, either "Yes" or "No".
Full Duplex	The current full duplex state of the port, either "Yes" or "No."
Speed	The current speed of the port, either 10Mbps or 100Mbps.
Flow Control	The current enable/disable flow control port state, either "Yes" or "No."
Port Type	The current type of connection: 10T=10Base-T, 100TX=100Base-TX.
Selection	Description
Next Page	Displays the next page of the table.
Previous Page	Displays the previous page of the table.
First Page	Displays the first page (top) of the table.
Last Page	Displays the last page of the table.
Refresh	Refreshes the screen to reflect latest system conditions.
Configure	Opens up the Port Configuration Menu. From this menu you can configure an individual port or multiple ports (See Section 4).

Port Configuration Menu

The Port Configuration Menu allows you to configure port settings for a specific port. Select **c** from the Port Menu to view the Port Configuration Menu. Figure 3-18 shows the Port Configuration Menu and the accompanying table describes the Port Configuration Menu.

PORTS 1-5 CONFIGURATION		Access Control: READ/WRITE
a	Port Name	
b	Port Enable	Yes
c	Flow Control Enable	No
d	Auto-negotiation Enable	Yes
e	Full Duplex	Yes
f	Port Speed	100
x	Previous Menu	
Enter Selection:		

Figure 3-18. Port Configuration Menu

Selection	Description
Port Name	Allows you to assign an administrative name to the port (1-14 character range).
Port Enable	Allows you to enable (Yes) or disable (No) the port(s).
Flow Control Enable	Allows you to enable (Yes) or disable (No) flow control on the port(s).
Auto-negotiation Enable	Allows you to enable (Yes) or disable (No) the auto-negotiation mode for the port(s). If Auto-negotiation Enable is set to "No," the Full Duplex and Port Speed fields display and are eligible for configuration. If Auto-negotiation Enable is set to "Yes," the Full Duplex and Port Speed fields disappear and the system automatically manages these functions.
Full Duplex	Allows you to enable (Yes) or disable (No) the full duplex mode for the port(s).
Port Speed	Allows you to set the speed (10 or 100Mbps) for the port(s).

Switch Statistics Screen

The Switch Statistics Screen provides a summary display of port-level statistics, and provides access to the Port Statistics screens. You can also clear or refresh the statistics. Select **d** from the Main Menu to view the Switch Statistics Screen. Figure 3-19 shows the Switch Statistics Screen and the accompanying table describes the Switch Statistics Screen.

SWITCH STATISTICS				Access Control: READ/WRITE		
ID	TRANSMITTED	RECEIVED	FORWARDED	FILTERED	DROPPED	ERRORED
1	0	0	0	0	0	0
2	0	0	0	0	0	0
3	0	0	0	0	0	0
4	0	0	0	0	0	0
5	0	0	0	0	0	0
6	0	0	0	0	0	0
7	0	0	0	0	0	0
8	0	0	0	0	0	0
9	0	0	0	0	0	0
10	0	0	0	0	0	0

n. Next Page p. Previous Page f. First Page l. Last Page

s. Switch Summary d. Port Statistics
r. Refresh c. Clear x. Previous Menu

Enter Selection:

Figure 3-19. Switch Statistics Screen

Field	Description
ID	The number assigned to the port.
Transmitted	Number of frames transmitted out the port.
Received	Number of frames received on the port.
Forwarded	Number of frames forwarded through the port.
Filtered	Number of frames filtered on the port.
Dropped	Number of frames received on the port that were dropped by the switch due to lack of resources.
Errored	Number of errored frames received on the port.
Selection	Description
Next Page	Displays the next page of the table.
Previous Page	Displays the previous page of the table.
First Page	Displays the first page of the table.
Last Page	Displays the last page of the table.
Switch Summary	Allows you to open the Switch Summary Screen.
Port Statistics	Allows you to open the Port Statistics Screen.
Refresh	Refreshes switch statistics.
Clear	Clears (or sets to zero) switch statistics.

Switch Summary Screen

The Switch Summary Screen allows you to display sum total statistics for all ports of the switch. You can also clear or refresh the statistics. Select **s** from the Switch Statistics Screen to view the Switch Summary screen. Figure 3-20 shows the Switch Summary Screen and the accompanying table describes the Switch Summary Screen.

SWITCH SUMMARY		Access Control: READ/WRITE
Frames Transmitted	0	
Frames Received	0	
Frames Forwarded	0	
Frames Filtered	0	
Frames Dropped	0	
Frames Errored	0	
r. Refresh c. Clear x. Previous Menu		
Enter Selection:		

Figure 3-20. Switch Summary Screen

Field	Description
Frames Transmitted	Total number of frames transmitted out all ports.
Frames Received	Total number of frames received on all ports.
Frames Forwarded	Total number of frames forwarded through the switch.
Frames Filtered	Total number of frames filtered on all ports.
Frames Dropped	Total number of frames dropped by the switch due to lack of resources.
Frames Errored	Total number of errored frames received from all ports.

Selection	Description
Refresh	Refreshes switch summary statistics.
Clear	Clears (or sets to zero) switch summary statistics.

Port Statistics Screen

The Port Statistics Screen allows you to display statistics for each port on the switch. Many of these statistics correspond to the Statistics group of RMON. You can also refresh or clear the statistics. Select **s** from the Switch Statistics Screen to view the Port Statistics screen. Figure 3-21 shows the Port Statistics Screen and the accompanying table describes the Port Statistics Screen.

PORT 1 STATISTICS		Access Control: READ/WRITE	
Frames Transmitted	0	Collisions	0
Frames Received	0	Late Collisions	0
Frames Forwarded	0	CRC/Alignment Errors	0
Frames Filtered	0	Undersized Frames	0
Frames Dropped	0	Oversized Frames	0
Broadcasts Transmitted	0	Fragments	0
Broadcasts Received	0	Jabbers	0
Multicasts Transmitted	0	64 Byte Frames	0
Multicasts Received	0	65 to 127 Byte Frames	0
Bytes Transmitted	0	128 to 255 Byte Frames	0
Bytes Received	0	256 to 511 Byte Frames	0
Pause Frames Transmitted	0	512 to 1023 Byte Frames	0
Pause Frames Received	0	1024 to 1518 Byte Frames	0
r. Refresh c. Clear x. Previous Menu			
Enter Selection:			

Figure 3-21. Port Statistics Screen

Field	Description
Frames Transmitted	Total number of frames transmitted on the port.
Frames Received	Total number of frames received on the port.
Frames Forwarded	Total number of frames received on the port which were forwarded to other ports.
Frames Filtered	Total number of frames received on the port which were filtered.
Frames Dropped	Total number of frames received on the port which were dropped by the switch due to lack of resources.
Broadcasts Transmitted	Total number of broadcast frames transmitted on the port.
Broadcasts Received	Total number of broadcast frames received on the port.

continued on next page

Figure 3-21 Port Statistics Screen (continued)

Field	Description
Multicasts Transmitted	Total number of multicast frames transmitted on the port.
Multicasts Received	Total number of multicast frames received on the port.
Bytes Transmitted	Total number of bytes transmitted on the port.
Bytes Received	Total number of bytes received on the port.
Pause Frames Transmitted	Total number of flow control pause frames transmitted on the port.
Pause Frames Received	Total number of flow control pause frames received on the port.
Collisions	Total number of collisions detected on the port.
Late Collisions	Total number of late collisions detected on the port.
CRC/Alignment Errors	Total number of frames received on the port which had either a CRC or an alignment error.
Undersized Frames	Total number of frames received on the port which were undersized.
Oversized Frames	Total number of frames received on the port which were oversized.
Fragments	Total number of frames received on the port which were fragments.
Jabbers	Total number of frames received on the port which were jabbers.
64 Byte Frames	Total number of frames received and transmitted on the port which were 64 bytes in length.
65 to 127 Byte Frames	Total number of frames received and transmitted on the port which were from 65 to 127 bytes in length.
128 to 255 Byte Frames	Total number of frames received and transmitted on the port which were from 128 to 255 bytes in length.
256 to 511 Byte Frames	Total number of frames received and transmitted on the port which were from 256 to 511 bytes in length.
512 to 1023 Byte Frames	Total number of frames received and transmitted on the port which were from 512 to 1023 bytes in length.
1024 to 1518 Byte Frames	Total number of frames received and transmitted on the port which were from 1024 to 1518 bytes in length.
Selection	Description
Refresh	Refreshes port statistics.
Clear	Clears (or sets to zero) port statistics.

General Information Screen

The General Information Screen allows you to view general system information. Select **e** from the Main Menu to view the General Information Screen. Figure 3-22 shows the General Information Screen and the accompanying table describes the General Information Screen.

GENERAL INFORMATION	Access Control: READ/WRITE
Software Version	1.00
Serial Number	100
Base MAC Address	00c0ba000000
Up Time(minutes)	12
Power Up Count	1
x. Previous Menu	
Enter Selection:	

Figure 3-22. General Information Screen

Field	Description
Software Version	The version of system software currently operating on the switch.
Serial Number	The serial number of the switch.
Base MAC Address	The base MAC address of the switch (port 1 address).
Up Time (minutes)	The number of minutes the switch has been operational since the last power cycle or reset.
Power Up Count	The number of times the system has powered up or been reset since the switch was originally shipped from the factory.

Download Software Menu

The Download Software Menu allows you to set up and initiate a software download. Select **f** from the Main Menu to view the Download Software Menu. Figure 3-23 shows the Download Software Menu and the accompanying table describes the Download Software Menu.

DOWNLOAD SOFTWARE	Access Control: READ/WRITE
a. TFTP Server IP Address	1.2.3.4
b. TFTP File Name	
c. Start TFTP Download	
d. Start XMODEM Download	
x. Previous Menu	
Enter Selection:	

Figure 3-23. Download Software Menu

Selection	Description
TFTP Server IP Address	The IP address of the TFTP server.
TFTP File Name	The file name to be downloaded from the TFTP server (maximum of 80 characters).
Start TFTP Download	Starts a TFTP download using TFTP Server IP Address and TFTP File Name information.
Start XMODEM Download	Starts an XMODEM (serial) download.

Save Current Configuration

The Save Current Configuration screen ensures that all changes made to the ELS100-24TX switch via the console menus will be stored in the event of power outages or power cycles.

To save your current configuration, do the following:

1. Select **g** from the Main Menu to view the Save Current Configuration screen.

The following message prompt displays:

```
The current settings will become permanent.  
All the saved settings will be lost!
```

- a. OK
- x. Cancel and return to the Previous Menu

2. Select either **a** to confirm the process or **x** to cancel the process.

Return to Default Configuration

The Return to Default Configuration screen allows you to restore the original factory default switch settings before changes were made via the user interface or SNMP.

To return to default configuration settings, do the following:

1. Select **h** from the Main Menu to view the Return to Default Configuration screen.

The following message prompt displays:

```
Switch will return to default settings.  
All the current changes and settings will be lost!
```

- a. OK
- x. Cancel and return to the Previous Menu

2. Select either **a** to confirm the process or **x** to cancel the process.

Logout

The Logout menu item allows you to log out of the user interface and return to the Login screen. Select **i** from the Main Menu to logout. After this command is entered, the system logout occurs automatically.

Reset

The Reset screen allows you to restore the latest saved configuration or system defaults if the system configuration has not been saved.

To reset the switch, do the following:

1. Select **j** from the Main Menu to view the Reset screen.

The following message prompt displays:

```
Switch will go through a hardware reset.  
All the current changes that have not been saved  
will be lost!
```

- a. Save changes and Reset
 - b. Don't save changes and Reset
 - x. Cancel and return to the Previous Menu
2. Select either **a** to confirm the process or **x** to cancel the process.

4. CONFIGURING & MONITORING THE SWITCH

Common Tasks

The switch console menus allow you to modify default switch settings and configure the switch for network management. They also allow you to monitor switch performance and status. See Section 3, “ELS100-24TX User Interface,” for an overview of the menu hierarchy and a description of all menus. The following sections describe common tasks in setting up and operating the ELS100-24TX switch.

To begin, set operating parameters and make sure the network connections are correct by performing these tasks:

- Setting password protection for the switch to prevent unauthorized access to console menus
- Assigning an IP address for the switch if you plan to manage the switch using SNMP, or if you use Telnet to access the switch
- Checking network configuration status and verifying that network connections are correct

After the switch is installed and operating, you may want to perform any of the following tasks:

- Connecting via Telnet for in-band access to the console menus
- Setting SNMP parameters for management access
- Viewing switch statistics to monitor and evaluate switch performance and traffic patterns on the network
- Configuring port mirroring
- Downloading a software upgrade
- Configuring Spanning Tree parameters
- Configuring VLANs
- Configuring Class of Service
- Configuring port operation (enable/disable, port speed, full/half duplex and flow control)
- Configuring the forwarding table
- Configuring the broadcast cutoff rate
- Setting a default gateway
- Configuring BootP/DHCP

Setting Password Protection

The ELS100-24TX switch is factory-configured with access rights to the console menus set to READ/WRITE. This setting allows anyone to use the console menus to modify any operational parameter. To protect the configuration of the switch from unauthorized modification, you should enable password protection to the console menus.

To enter a password, do the following:

1. Select Password from the System Configuration Menu and press [Enter].
2. Enter a password containing six to eight alphanumeric characters.

The password is not case sensitive. For verification, you are asked to enter your password again. If both entries agree, the new password is stored.

By factory default, there is no password configured. This means that at the `login:` prompt, all you have to do is press [Enter] to gain READ/WRITE access to the console menus. When you configure the password parameter, the factory default setting is deactivated and the new password governs access to the console menus.

After you enter a password and logout using the Logout command from the Main Menu, all access rights change to READ-ONLY. The current level of access control is indicated at the top of the management screen.

If you forget your password, contact your NetVantage System Support Representative.



You are automatically logged out from the console menus based on the Screen Timeout setting in the System Configuration Menu. A setting of "0" permits the console menus to remain available indefinitely.

Assigning an IP Address

To assign an IP address to the switch, do the following:

1. Select System Configuration Menu from the Main menu.
2. Select IP address from the menu and enter the IP address. Press [Enter].

The IP address is now programmed. The subnet mask is automatically set to correspond to the class of the address entered. If a different mask is used on the network, select Subnet Mask from the menu and enter the appropriate mask.

Checking Network Configuration Status

To check connection status for the network, do the following:

1. Select Port Menu from the Main Menu.

If a network cable is properly connected to a port, the Link Status for the port reads CONNECTED. If no cable is connected to the port, or if the cable or port is faulty, the Link Status for the port reads DISCONNECTED.

2. If you see a DISCONNECTED status for a connected port, plug the cable into another port on the switch or try another cable.

Connecting via Telnet

You can connect to the ELS100-24TX switch from a remote location using the Telnet application. This application allows you to establish in-band access to the console menus.

To connect to the ELS100-24TX switch via Telnet, do the following:

1. Assign an IP address using the System Configuration Menu.
2. Set a password using the System Configuration Menu.
3. Login to the ELS100-24TX switch via Telnet using the configured IP address and the password.

Setting SNMP Management Access

Access to the ELS100-24TX switch through SNMP is controlled by community names. The community names set for the switch must match those used by the SNMP management station for successful communication to occur. The switch uses two community names. The "Public" community name allows read-only access to the device via SNMP. The "Private" community name allows read/write access.

The ELS100-24TX switch can send SNMP messages called traps to SNMP management stations when an important event occurs with the switch. The switch allows up to four destinations to be configured for these trap messages to be sent.

To configure SNMP access for the switch, do the following:

1. Select System Configuration Menu from the Main Menu.
2. Select SNMP Configuration Menu.
3. Select SNMP Private Community Name from the menu and enter the desired read/write access community name (you are permitted to enter from one to 10 characters).
4. Select SNMP Public Community Name and enter the desired read-only community name (you are permitted to enter from one to 10 characters).

-
5. Select one or more Trap Destination entries from the menu and enter the appropriate IP addresses.
 6. For each trap destination entered, a corresponding community name should be entered.

Viewing Switch Statistics

To view switch statistics, do the following:

1. Select Switch Statistics Screen from the Main Menu.
The screen lists the main statistical counts for all ports on the switch simultaneously.
2. Select Switch Summary from the Switch Statistics Screen.
The screen lists a summary of sum total statistics for all ports on the switch.
3. Select Port Statistics from the Switch Statistics Screen.
4. Enter the port number. Press [Enter].
The screen lists expanded port-level statistics for an individual port.
5. On any of the statistics screens, select Clear to clear (zero) the displayed statistical counts and Refresh to refresh (update) the displayed statistical counts.

Configuring Port Mirroring

You can mirror the traffic being switched on any port for the purposes of network traffic analysis and connection assurance. When Port Mirroring is enabled, one port in each group of eight becomes a monitor port for any one of the other ports within the group.

To configure port mirroring, do the following:

1. Select Switch Configuration Menu from the Main Menu.
2. Turn the switch port mirroring operation on or off by toggling the Port Mirroring Enable option (pressing **g**).
3. Select Mirrored Port for the port to be mirrored (traffic information source) and enter the number of the port. Press [Enter].
4. Select Mirroring Port for the port which receives the mirrored data (traffic information destination) and enter the number of the port. Press [Enter].
5. Select Transmit Data Mirror Enable to mirror the data being transmitted out the mirrored port to the mirroring port. Alternatively, select Receive Data Mirror Enable to mirror the data being received on the mirrored port to the mirroring port. Only one of these parameters can be enabled at a given time.
6. Connect a traffic analyzer or RMON probe to the mirroring port.

Downloading a Software Upgrade

You can upgrade the operational software in the ELS100-24TX switch without physically opening the switch or being in the same location. The software storage sector in the flash memory of the switch is reprogrammable, allowing you to easily download software feature enhancements and problem fixes to the switch from a local or remote location.

Software can be downloaded to the switch in two ways:

- Via the serial port. This procedure is an out-of-band operation that copies the software through the serial port to the switch. This operation takes approximately 10 minutes and requires minimal configuration.
- Via TFTP download. This procedure uses a TFTP server connected to the network and downloads the software using the TFTP protocol. A TFTP download is much faster than a serial download, requiring only a few seconds, and can be used to upgrade an ELS100-24TX switch that is not physically proximate. The disadvantage is that this method requires a TFTP server and additional setup.

Downloading Via the Serial Port

A serial download is the easiest method to upgrade the ELS100-24TX switch software, requiring the least amount of equipment and configuration.

To download switch software via the serial port, do the following:

1. Select Download Software Menu from the Main Menu.
2. Select Start XMODEM Download.

The following message prompt displays:

```
Software downloader is running.
```

```
Software downloader request: Please start XMODEM  
transfer (9600, N, 1). (Please ignore any  
characters that may appear on the next line).
```

3. Send the file using the XMODEM protocol from your computer application (the procedure varies depending upon the application used).

When the XMODEM procedure finishes, the following message prompt displays:

```
Software download successfully completed XMODEM  
download. Please wait while program flash is being  
written. Software downloader is exiting after  
successful download to flash. Please wait while  
system initializes.
```

The system software will reinitialize and display the login prompt.

Downloading Via TFTP

To perform a TFTP download, you must first configure the ELS100-24TX switch. This consists of programming the switch with an IP address, if this has not already been done, and entering the IP address of the TFTP server and the name of the upgrade file. To program the switch IP address, go to the System Configuration Menu which is accessible from the Main Menu screen.

To download switch software via TFTP, do the following:

1. Select TFTP Server IP Address from the Download Software Menu.
2. Enter the TFTP server IP address and press [Enter].
3. Select TFTP File Name and enter the file name to be downloaded from the TFTP server.



For a TFTP download, the path to the file must be included in its name. For example, if the upgrade file name is filename.bin and it resides in the directory /usr/tftp on the TFTP server, then you must enter the TFTP file name as: "/usr/tftp/filename.bin".

4. If necessary, configure the address of an IP gateway to reach the server from the switch using the Default Gateway field on the System Configuration Menu.
5. Configure the TFTP server by copying the download file from the upgrade disk to an appropriate directory and starting the server.
6. Select Start TFTP Download and press [Enter].

To verify that the TFTP download has been successfully completed, note the software version level displayed on the General Information Screen accessible from the Main Menu. This number should match the version number that appears on the upgrade disk.

Configuring Spanning Tree Parameters

The ELS100-24TX switch supports the IEEE 802.1D Spanning Tree Protocol. This protocol allows redundant connections to be created between LAN segments for purposes of fault tolerance. Two or more physical paths between different segments can be created through the switch, with the Spanning Tree Protocol choosing a single path at any given time and disabling all others.

If the cosen path fails for any reason, a disabled alternative is activated, thereby maintaining the connection. See Appendix B, “Spanning Tree Concepts,” for further information on using the Spanning Tree Protocol in a network.



Configuring Spanning Tree parameters from their default can cause serious deterioration of network performance.

To configure Spanning Tree Parameters, do the following:

1. Select Switch Configuration Menu from the Main Menu.
2. Select Spanning Tree Configuration Menu.
3. Turn the switch Spanning Tree operation on or off by toggling the Spanning Tree Protocol Enable option by pressing **a**.
4. Select Port Configuration.

The Spanning Tree Port Configuration Menu displays. Change the parameters that display in this menu as required.

Configuring VLANs

A virtual LAN (VLAN) is a group of devices on one or more LANs that are configured such that they can communicate as if they were attached to the same wire. Because VLANs are based on logical instead of physical connections, they are extremely flexible.

The most fundamental benefit of VLAN technology is the ability to create workgroups based on function rather than on physical location or media. For further information, see Appendix D, “Virtual LANs (VLANs).”

To configure VLANs, do the following:

1. Select Switch Configuration Menu from the Main Menu.
2. Select VLAN Configuration Menu.
3. Turn the global switch VLAN operation on or off by toggling the VLAN Enable option by pressing **a**.
4. Select VLAN Menu.

The VLAN Menu displays. This menu displays the current configuration of VLANs in the system.

5. To delete a current VLAN, select Delete, then enter the number of the VLAN.
6. To configure a VLAN, select Configure and enter a VLAN number. A new VLAN can be created this way.

The VLAN #n Configuration Menu displays. From this menu, you can configure VLAN names, add/delete ports in a VLAN, and add/delete egress ports for a VLAN.

-
7. From the main VLAN Configuration Menu, select VLAN Port Menu to configure the VLAN port mode (hybrid or access) for individual ports.

Configuring Class of Service

You can configure Class of Service parameters using the Class of Service Configuration Menu. This menu permits you to configure priority levels to traffic being forwarded through the switch. During periods of congestion, Class of Service settings ensure that traffic which has been assigned high priority is forwarded through the switch ahead of normal priority traffic. For further information, see Appendix E, "Class of Service."

To configure Class of Service, do the following:

1. Select Class of Service Configuration Menu from the Switch Configuration Menu.
2. Turn the global switch Class of Service operation on or off by toggling the Class of Service Enable option by pressing **a**.
3. Select Priority Threshold and type a number between 0 and 7.
4. Select Configure Port Priority.

The Port Priority Menu displays. From this menu, individual port priority levels can be configured.

Configuring Port Operation

You can configure ports for operational parameters such as auto-negotiation, duplex mode, port speed and flow control.

To configure port operation, do the following:

1. Select Port Menu from the Main Menu.
2. Select Configure and enter an individual port number or multiple port numbers. Press [Enter].



Examples: You can configure an individual port or multiple ports, separated by commas or hyphens, in either:

a list: ports 1, 3, 5, 7

a range: ports 6-9

or a combination of both: 1, 3, 5, 7, 10-15, 21, 23

The port number(s) entered displays on the top of the Port Configuration screen.

3. Select Port Name and enter a Port Name. Press [Enter].
4. Select Port Enable to toggle between enabling (Yes) and disabling (No) the port(s).

-
5. Select Flow Control Enable to toggle between enabling (Yes) or disabling (No) flow control on the port(s).
 6. Select Auto-negotiation Enable to toggle between enabling (Yes) or disabling (No) auto-negotiation on the port.



If Auto-negotiation Enable is set to No, the Full Duplex and Port Speed modes need to be configured.

If Auto-negotiation Enable is set to Yes, the Full Duplex and Port Speed fields disappear and the system automatically configures these functions.

7. Select Full Duplex to toggle between Yes (Full Duplex) and No (Half Duplex) mode on the port(s).
8. Select Port Speed to toggle between 10Mbps and 100Mbps speeds on the port(s).

Configuring the Forwarding Table

The Forwarding Table allows you to designate forwarding treatment through the switch for specific MAC addresses, allowing you to maintain the efficiency and security of your network. You can search for specific MAC addresses by the address itself or by port number. The switch learns addresses dynamically from incoming packets and builds a table of these addresses along with their associated ports. There are three types of MAC addresses in the forwarding table:

- Dynamic MAC addresses, which are dynamically learned and removed by the switch based on a time period defined using the Forwarding Table Aging Time option in the Switch Configuration Menu.
- Static MAC addresses, which are entered manually, stored in nonvolatile memory and automatically placed in the forwarding table.
- System MAC addresses, which are set by the system software and cannot be modified. Each switch port has a permanent system MAC address assigned to it.

There are three types of dispositions associated with each address in the forwarding table:

- Forward, which directs packets destined for a specific MAC address to a specific port.
- Discard, which drops packets destined for a specific MAC address (and thus provides a security function by blocking certain packets).
- Local, which is for packets destined for the switch itself (such as a "local" SNMP management packet).

To configure the forwarding table, do the following:

1. Select Switch Configuration Menu from the Main Menu.
2. Select Forwarding Table Configuration Menu.

To either make an existing dynamic entry static (Make Entry Static) or delete a static entry (Delete Static Entry), do the following:

1. Select the letter associated with the option.

The following message prompt displays:

```
Enter MAC Address:
```

2. Enter the MAC address. Press [Enter].

To either add a static entry (Add Static Entry) or modify a static entry (Modify Static Entry), do the following:

1. Select the letter associated with the option.

The following message prompt displays:

```
Enter MAC Address:
```

2. Enter the MAC address. Press [Enter].

The following message prompt displays:

```
Forward to Port (Y/N):
```

3. Do one of the following:

If you select “Y” and Press [Enter], the system displays:

```
Enter Port Number (1-24):
```

```
Enter the port number. Press [Enter].
```

If you select “N” and press [Enter], the system displays “discard” in the Disposition field.

Configuring Broadcast Throttling

This setting affects the throttling of excessive broadcast or unicast packets with unknown MAC addresses being handled by the switch. Normally, when these types of packets are received by the switch, they are forwarded (flooded) to every port on the switch or on a VLAN. However, if the receiving rate of these packets exceeds the broadcast cutoff rate, the switch will throttle back or limit the forwarding of these packets based on the configured Broadcast Cutoff Rate. This mechanism helps to prevent broadcast storms, a problem often encountered in Ethernet networks.

To configure the broadcast cutoff rate, do the following:

1. Select Switch Configuration Menu from the Main Menu.
2. Select Broadcast Cutoff Rate, enter the rate value, and press [Enter].

Valid values are in the range from 100 to 500,000 per second. This rate value is applied to each grouping of 8 ports on the switch. A setting of 500,000 essentially disables this feature.

Setting a Default Gateway

The Default Gateway parameter defines the IP address of a router or other network device to which IP packets are to be sent if destined for a subnet outside of that which the switch is operating.

To set a default gateway, do the following:

1. Select System Configuration Menu from the Main Menu.
2. Select Default Gateway.
3. Enter the gateway IP address. Press [Enter].

Configuring BootP/DHCP

The DHCP and BootP protocols allow you to automatically configure the switch's IP address information. Enabling this feature greatly speeds up device configuration, especially when a large number of devices are installed.

A DHCP and/or BootP server must be operating on the network and be properly configured for this option to work. When this option is enabled, the switch first tries to obtain an IP address from a DHCP server. If this fails, the switch tries to obtain an IP address from a BootP server. If this fails, the switch uses a previously configured IP address, if one exists.

To configure BootP/DHCP, do the following:

1. Select System Configuration Menu from the Main Menu.
2. Select BootP/DHCP Enable.

This selection toggles between Enable and Disable.

5. SNMP MANAGEMENT

The SNMP Protocol

SNMP (Simple Network Management Protocol) is a communication protocol designed specifically for the purpose of managing devices or other elements on a network. Network equipment commonly managed with SNMP includes hubs, switches, routers, and host computers. SNMP is typically used to configure these types of devices for proper operation in their network environment, as well as to monitor them to evaluate their performance and detect potential problems.

Managed entities supporting SNMP typically contain software, which runs locally on the device and is referred to as an agent. In Figure 5-1, software in an ELS100-24TX switch functions as an agent, monitoring and controlling the functionality of the switch.

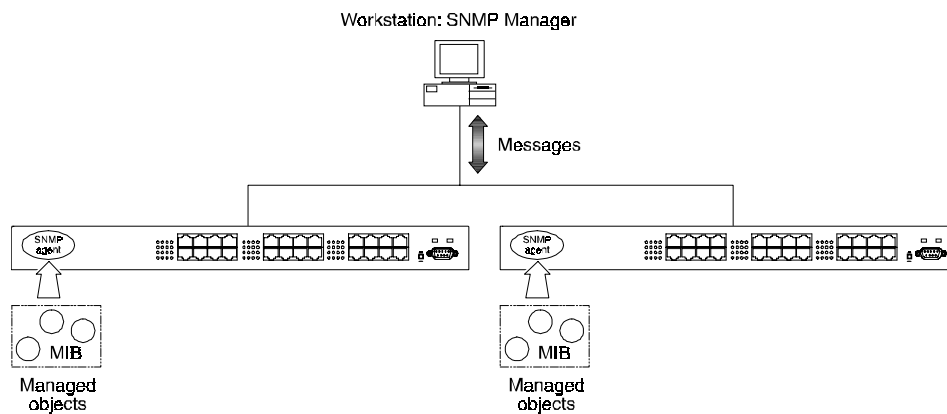


Figure 5-1. ELS100-24TX Switches Managed by an SNMP Management Workstation

A defined set of variables, referred to as managed objects, is maintained by the agent and used to manage the device. These objects are defined in a Management Information Base (MIB) which allows for a standard presentation of the information controlled by the agent over the network.

The software used to access the information maintained by the SNMP agents across a network is referred to as the SNMP Manager, and typically runs on a workstation.

The SNMP manager software uses a MIB specification, equivalent to that which the agent maintains, to read and write objects controlled by the agent for purposes of configuring and monitoring the device. SNMP defines the format of the MIB specifications and the protocol used to access this information.

There are three main operations defined in SNMP:

- Operations that read information from the managed device, such as those used to obtain status or statistical data, are called GET operations.
- Operations that change a functional parameter on the device, such as those used to configure Spanning Tree or to initiate a software download, are referred to as SET operations. GET and SET operations are initiated only by the manager software, and result in a response by the agent.
- The third operation type, the TRAP, allows the agent to send an unsolicited message to the manager. This operation is typically used as an alert of a potential problem or a change of status with the device. The Trap Destination parameter in the SNMP Configuration Menu is used to configure the IP addresses of the SNMP Manager to which ELS100-24TX trap messages are sent.

MIB Objects

A number of standard MIB specifications have been defined for managing network equipment. SNMP compliant devices typically support one or more standard MIBs defined by the Internet Engineering Task Force (IETF), in the form of Request for Comments (RFC) documents.

These MIBs provide a common method of managing devices, such as switches and hubs, and network interfaces, such as Ethernet and token ring. The primary standard MIB, referred to as MIB-II, provides an overall view of the managed agent and must be supported, at least in part, by all SNMP agents. In addition, proprietary MIB extensions are defined by commercial vendors for managing device-specific functions of their products.

The ELS100-24TX switch supports four standard MIBs:

- RFC 1213 - Management Information Base for Network Management of TCP/IP based Internets (MIB-II)
- RFC 1398 - Definitions of Managed Objects for the Ethernet-like Interface Types (Ethernet MIB)
- RFC 1493 - Definitions of Managed Objects for Bridges
- RFC 1757 - Remote Network Monitoring Management Information Base

The ELS100-24TX switch also supports Cabletron proprietary MIB extensions.

RFC 1213 (MIB-II)

RFC 1213 provides management of switch system-level parameters, including TCP/IP protocol-related statistics, IP addressing, routing table information, and interface statistics for each switch port. MIB-II is the standard MIB defined by RFC 1213. All agent devices operating SNMP are required to support at least part of MIB-II.

This MIB reports information about the protocols and network interfaces supported on the agent itself, as well as other general information. The MIB is divided into a number of groups, each of which corresponds to a specific protocol or set of information. Some groups are defined in other RFC documents.

The groups specifically defined in RFC 1213 and supported by the ELS100-24TX switch system software are as follows:

- System – General information about the agent system
- Interfaces – Information about the network interfaces of the system
- Address Translation – Interface address information, both MAC level and network (IP) level
- IP – Statistics and information related to the IP protocol
- ICMP – Statistics and information related to the ICMP protocol
- TCP – Statistics and information related to the TCP protocol
- UDP – Statistics and information related to the UDP protocol
- Transmission – Statistics and information related to the physical network medium to which the system interfaces (e.g. Ethernet, token ring, etc.).
- SNMP – Statistics and information related to the SNMP protocol

RFC 1398 (Ethernet MIB)

RFC 1398 provides management and monitoring for the Ethernet-specific aspects of each port on the switch. This is the Ethernet-specific statistics subgroup of the MIB-II Transmission group. This group provides a set of statistics related to Ethernet's physical level operation. Specifically, error and collision-related statistics are presented.

RFC 1493 (Bridge MIB)

RFC 1493 is a group defined under MIB-II. This MIB deals with the operation of the system as an 802.1D-compliant bridge. Areas of functionality supported by this group include Spanning Tree and forwarding table information and configuration.

RFC 1757 (RMON MIB)

RFC 1757 is a group defined under MIB-II. This MIB provides management for the RMON aspects of the switch. The ELS100-24TX switch supports four of the nine groups of RMON defined for Ethernet networks on a per port basis. For further information, see the subsection "RMON" in Chapter 1.

Cabletron Proprietary MIB Extensions

Areas of ELS100-24TX switch functionality not covered by the standard RFC MIBs are specified in the Cabletron private MIB. This MIB definition is specified separately from MIB-II. Areas covered in this MIB include various system, switch, and port level information. System information MIB variables are shown in Table 5-1, switch information variables in Table 5-2, and port variables in Table 5-3.

Table 5-1. System Information Variables

Variable	Description
SerialNo	Serial number of the unit.
TftpIpAddress	TFTP server IP address for TFTP downloads.
TftpFilename	Filename of the download upgrade file on the TFTP server.
PowerUpCount	Cumulative number of times switch has powered up or been reset.
BroadcastCutoffRate	Per second rate past which broadcast and destination unknown unicast frames are not flooded on each group of 8 ports on the switch.
GatewayIPAddress	IP address of the default gateway (router) to which packets destined for another subnet are sent.
TftpStartDownload	Start TFTP downloads via SNMP, using TftpIpAddress and TftpFilename.
BootpDhcpEnable	Enable/disable BootP/DHCP for IP address configuration.
Reset	Remotely execute a software reset of the switch.

Table 5-2. Switch Information Variables

Variable	Description
SwitchIpAddress	IP address of the switch, used for management.
SwitchSubnetMask	Subnet mask corresponding to the SwitchIpAddress.
ActiveAgingTime	Aging tick period in seconds by which addresses in the forwarding table are aged out.
SwitchStpStatus	Enable/disable operation of Spanning Tree on the switch.
SwitchManager	List of SNMP trap manager IP addresses.
SwitchTrapRcvr1	SNMP trap manager IP address #1.
SwitchTrapCommunity1	SNMP community associated with trap manager IP address #1.
SwitchTrapRcvr2	SNMP trap manager IP address #2.
SwitchTrapCommunity2	SNMP community associated with trap manager IP address #2.
SwitchTrapRcvr3	SNMP trap manager IP address #3.
SwitchTrapCommunity3	SNMP community associated with trap manager IP address #3.
SwitchTrapRcvr4	SNMP trap manager IP address #4.
SwitchTrapCommunity4	SNMP community associated with trap manager IP address #4.
SwitchPortMirroringStatus	Enable/disable port mirroring operation of the switch.

continued on next page

Table 5-2 Switch Information Variables (continued)

Variable	Description
SwitchMirroredPort	Port to be mirrored from.
SwitchMirroringPort	Port to be mirroring to.
SwitchXmitMirrorEnable	Enable/disable mirroring of transmitted traffic.
SwitchRcvMirrorEnable	Enable/disable mirroring of received traffic.
SwitchVlanEnable	Enable/disable global VLAN operation of the switch.
SwitchVlanConfigTable	Table indexed by SwitchVlanId
SwitchVlanId	VLAN number or ID.
SwitchVlanName	Text string for VLAN name.
SwitchVlanPorts	Ports in the VLAN.
SwitchVlanStatus	Variable used to add or delete entries from the VlanConfigTable.
SwitchVlanEgressPorts	Ports to which traffic destined for this VLAN may be transmitted.
SwitchVlanStatus	Variable used to add or delete entries from the VlanConfigTable.
SwitchVlanPortTable	Table indexed by SwitchVlanPortId.
SwitchVlanPortId	Port number or ID.
SwitchVlanPvid	Port VLAN ID (PVID) for this port.
SwitchVlanPortType	The type of VLAN this port is operating as, either hybrid or access.
SwitchPriorityEnable	Enable/disable global traffic priority in the switch.
SwitchPriorityThreshold	Priority threshold level (0-7) in the switch which defines switch traffic to be high or low priority.
SwitchPriorityPortTable	Priority table indexed by SwitchPriorityPortId.
SwitchPriorityPortId	Port number or ID.
SwitchPriorityDefault	Priority level (0-7) assigned to untagged traffic entering the associated port.

Table 5-3. Port Variables

Variable	Description
PortId	Port number or ID.
PortStatus	Link status of the port.
PortDuplexStatus	Full/half duplex setting of the port. Not configurable if auto-negotiation is enabled.
PortName	Text name assigned to the port.
PortEnable	Enable/disable status of the port.
PortSpeed	Speed the port is operating at. Not configurable if auto-negotiation is enabled.
PortAutonegEnable	Enable/disable auto-negotiation on the port.
PortFlowControlEnable	Enable/disable flow control on the port.

Compiling MIB Extensions: Cabletron Website

The MIBs supported by the ELS100-24TX switch must be compiled into the SNMP network management platform before the switch can be managed. The supported MIBs are available using Cabletron's website at:

<http://www.cabletron.com>

The four standard MIB specifications listed above with which the ELS100-24TX switch is compliant are generally available with the SNMP management platform.

Application modules specific to managing the ELS100-24TX switch under different network management platforms are available. Contact Cabletron Systems for information regarding supported platforms.

APPENDIX A. TECHNICAL SPECIFICATIONS

General

Standards Compliance

IEEE 802.1D Transparent Bridging Specifications (ISO/IEC 10038)
IEEE 802.1p Traffic Class Expediting and Dynamic Multicast Filtering
IEEE 802.1Q Virtual Bridged Local Area Networks
IEEE 802.2 Local Area Networks, Logical Link Control (LLC)
IEEE 802.3 CSMA/CD 9 (ISO/IEC 8802-3)
IEEE 802.3i 10Base-T (ISO/IEC 8802-3, clause 14)
IEEE 802.3u 100Base-TX (ISO/IEC 8802-3, clause 25)
IEEE 802.3x Flow Control
EIA RS-232C (DTE-to-DCE)
EIA RS-310C (19" rackmount)

Certification

Emissions: FCC Part 15, Subparts A and B, Class A; EN55022 (CISPR 22), Class A
Safety: UL 1950, cUL CSA 22.2-950, EN60950 (TUV)
CE Mark: 89/336/EEC; 93/68/EEC; 73/23/EEC
Immunity: IEC 801-2; IEC 801-3; IEC 801-4

Data Rate

10 Mbps Manchester encoded or 100 Mbps 4B/5B encoded

Environmental Specifications

Operating temperature:	32° to 113° F (0° C to 45° C)
Operating humidity:	5 to 95% relative, non-condensing
Storage temperature:	-22° to 158°F (-30° C to 70° C)
Storage humidity:	5 to 95% relative, non-condensing

Electrical Specifications

Input voltage:	100-240 VAC
Input frequency:	50-60 Hz
Maximum power consumption:	75 VA

Physical

Height:	1.75 in. (4.4 cm)
Length:	16.0 in. (40.6 cm)
Width:	17.1 in. (43.4 cm mountable in a standard 19 in. rack)
Weight:	10.5 lb. (4.8 kg)

Microprocessor

Type:	Intel i960J series, 32 bit
Speed:	33 MHz

Memory

Processor DRAM:	4 MB
Packet Buffer Memory:	4 MB/8 ports
Flash Memory:	2 MB

Port Specifications

Console Port

Table A-1 shows the console port pin assignments.

Table A-1. RS-232 Console Port Pin Assignments

Pin	Signal Name
1	RTS/CTS
2	TXD
3	RXD
4	DSR
5	Ground
6	DTR
7	DCD
8	DCD
9	Not used

10Base-T and 100Base-TX Ports

The ELS100-24TX switch provides IEEE 802.3u auto-negotiation on its 10Base-T/100Base-TX ports for 10/100 speed and full/half duplex operation. Table A-2 shows the 10Base-T/100Base-TX pinouts. These ports are wired MDI-X. All undefined pins are not used.

Table A-2. 10Base-T/100Base-TX Pinouts

Pin	MDI-X Signal Name
1	RD+
2	RD-
3	TD+
6	TD-

MDI/MDI-X Crossover Cable Wiring

Figure A-1 shows the wiring scheme for implementing a crossover cable if needed for connection to the switch's 10Base-T or 100Base-TX ports. Such a cable may be required when connecting the switch to another switch or a hub device.

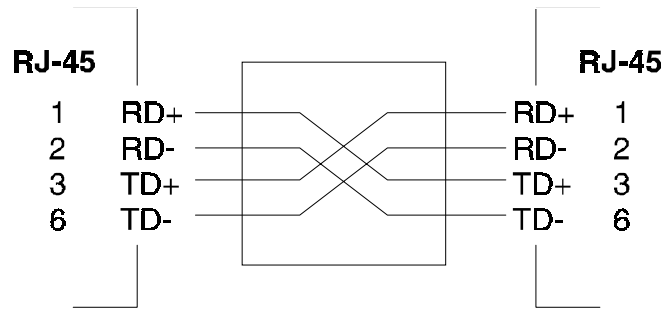


Figure A-1. External Crossover Cable Wiring

Power Cord Set Requirements

The wide-range input feature of the ELS100-24TX Ethernet switch permits it to operate from any line voltage between 100 and 120 or 200 and 240 VAC.

The power cord set (appliance coupler, flexible cord, and wall plug) you received with the switch meets the requirements for use in the country where you purchased the switch.

Power cord sets for use in other countries must meet the requirements of the country where you use the switch. For more information on power cord set requirements, contact your Cabletron Systems Support Representative.

General Requirements

The requirements listed below are applicable to all countries:

- The length of the power cord set must be at least 5.00 feet (1.5 m) and a maximum of 6.56 feet (2.0 m).
- All power cord sets must be approved by an acceptable accredited agency responsible for evaluation in the country where the power cord set will be used.
- The power cord set must have a minimum current capacity of 10A and a nominal voltage rating of 125 or 250 VAC, as required by each country's power system.
- The appliance coupler must meet the mechanical configuration of an EN 60 320/IEC 320 Standard Sheet C13 connector for mating with appliance inlet on the switch.

Country-Specific Requirements

Table A-3 lists the power cord set requirements by country and identifies the accredited agency within that country.

Table A-1. Power Cord Set Requirements by Country

Country	Accredited Agency	See Notes *
Australia	EANSW	1
Austria	OVE	1
Belgium	CEBC	1
Canada	CSA	2
Denmark	DEMKO	1
Finland	FIMKO	1
France	UTE	1
Germany	VDE	1
Italy	IMQ	1
Japan	JIS	3
Netherlands	KEMA	1
Norway	NEMKO	1
Sweden	SEMKO	1
Switzerland	SEV	1
United Kingdom	BSI	1
United States	UL	2

The note column includes a number. Associate this number with the corresponding notes listed after the table to obtain specific power standards and requirements.

Note 1

Flexible cord must be <HAR> Type HO5VV-F or HO3VV-F, 3-conductor, 1.0 mm², or 0.75 mm² conductor size. Power cord set fittings (appliance coupler and wall plug) must bear the certification mark of the agency responsible for evaluation in the country where it will be used.

Note 2

Flexible cord must be Type SV, SJ, SPT or equivalent, No. 18 AWG, 3-conductor. Wall plug must be a two-pole grounding type with a NEMA 5-15P (15A, 125V) or NEMA 6-15P (15A 250V) configuration.

Note 3

Appliance coupler, flexible cord, and wall plug must bear a "T" mark and registration number in accordance with the Japanese Dentori Law. Flexible cord must be Type VCT or VCTF, 3-conductor, 0.75mm² conductor size. Wall plug must be a two-pole grounding type with a Japanese Industrial Standard C8303 (15A, 125V) configuration.

APPENDIX B. SPANNING TREE CONCEPTS

General

The IEEE 802.1D Spanning Tree Protocol resolves the problems of physical loops in a network by establishing one primary path between any two switches in a network. Any duplicate paths are barred from use and become standby or blocked paths until the original path fails, at which point they can be brought into service.

Spanning Tree Features

The ELS100-24TX switch meets the requirements of the Spanning Tree Protocol (STP) by performing the following functions:

- Creates a single spanning tree from any arrangement of switching or bridging elements.



The term “switch” is used as an equivalent to “bridge” in this document.

- Compensates automatically for the failure, removal, or addition of any device in an active data path.
- Achieves port changes in short time intervals, which establishes a stable active topology quickly with a minimum of network disturbance.
- Uses a minimum amount of communications bandwidth to accomplish the operation of the Spanning Tree Protocol.
- Reconfigures the active topology in a manner that is transparent to stations transmitting and receiving data packets.
- Manages the topology in a consistent and reproducible manner through the use of Spanning Tree Protocol parameters.

Spanning Tree Protocol in a Network

Figure B-1 illustrates the use of three ELS100-24TX switches to establish an effective Spanning Tree configuration. Switches A, B and C are connected together in a redundant topology (more than one path between two points). If the connection between A and B goes down, the link between A and C becomes active, thereby establishing a path between A and B through switch C. Additionally, if the connection between B and C goes down, the link between A and C becomes active, establishing a path between B and C through switch A.

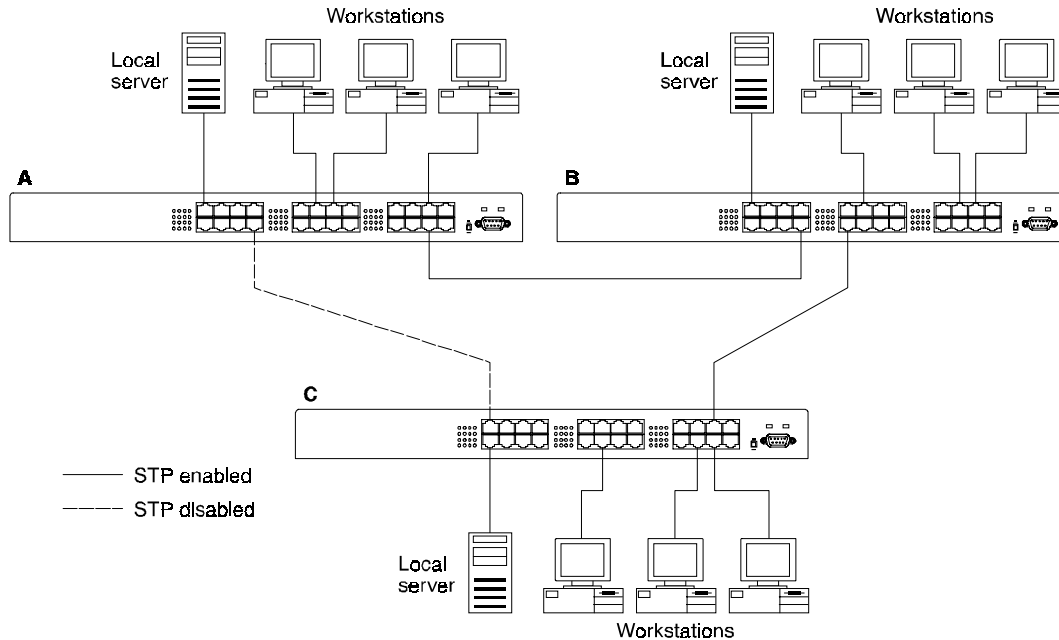


Figure B-1. Spanning Tree Using ELS100-24TX Switches

Spanning Tree Protocol Parameters

Several configuration parameters control the operation of the Spanning Tree Protocol. Table B-1 describes the parameters and lists the ELS100-24TX switch default settings for each parameter.



You can cause serious network performance degradation if you do not fully understand Spanning Tree concepts. Be sure to consult personnel experienced with this process prior to configuring Spanning Tree parameters.

Table B-1. Spanning Tree Protocol Defaults

Parameter	Description	Default Value
Bridge Group Address	Unique MAC group address, recognized by all bridges in the network.	
Bridge Identifier	Identifier for each bridge. This parameter consists of two parts: a 16-bit bridge priority and a 48-bit network adapter address. Ports are numbered in absolute numbers starting from 1 regardless of their bridge attachment. The network adapter address is the same address as the first port of the bridge.	32768 (bridge priority)
Port Identifier	Identifies each port of each bridge, with an incremental default value given for each port. Port 1 -32768 Port 9 -32776 Port 17 -32784 Port 2 -32769 Port 10 -32777 Port 18 -32785 Port 3 -32770 Port 11 -32778 Port 19 -32786 Port 4 -32771 Port 12 -32779 Port 20 -32787 Port 5 -32772 Port 13 -32780 Port 21 -32788 Port 6 -32773 Port 14 -32781 Port 22 -32789 Port 7 -32774 Port 15 -32782 Port 23 -32790 Port 8 -32775 Port 16 -32783 Port 24 -32791	
Port Priority	Indicates the priority of a specific port in relation to other ports.	128
Cost Component of Each Port	The Spanning Tree Protocol calculates and ensures that an active topology generates minimal cost paths. A value of 100 is generally used for 10Mbps Ethernet networks and a value of 10 is generally used for 100Mbps Ethernet networks.	10

For detailed information on the operation of the Spanning Tree Protocol, consult Section 4 of IEEE Standard 802.1D, ISO/IEC 10038:1993.

Spanning Tree Protocol Operation

When the Spanning Tree Protocol is enabled for the first time or when there is a change in the network topology, such as a failure or the addition or removal of a component, the Spanning Tree Protocol automatically sets up the active topology of the current network.

Communicating Between Bridges

Periodically, all devices running the Spanning Tree Protocol on a network transmit packets to each other “in care of” the Bridge Group Address which all bridges share. When a bridge receives a frame sent to the Bridge Group Address, the bridge’s Spanning Tree Protocol processes the packet. Application software and other LAN segments ignore the packet. Bridges communicate between each other in order to determine the Root Bridge.

Selecting a Root Bridge and Designated Bridges

During communication between bridges, one bridge is determined to have the lowest bridge identifier. This bridge becomes the Root Bridge.

After the Root Bridge has been selected, each LAN segment looks for the bridge that has the lowest cost relative to the Root Bridge. These bridges become Designated Bridges.

Selecting Designated Ports

Each Designated Bridge selects a Designated Port. This port is responsible for forwarding packets to the Root Bridge.

Handling Duplicate Paths

When the active topology of the network is determined, all packets between any two nodes in the network use only one path. Where a duplicate path exists, the non-designated port is put into a blocking state.

Remapping Network Topology

If there is a change in the network topology due to a failure or the removal or addition of any active components, the active topology also changes. This may trigger a change in the state of some blocked ports.

There are five (5) states that the ports can be in for spanning tree:

- **Blocking:** A port in this state does not participate in the transmission of frames, thus preventing duplication arising through multiple paths existing in the active topology of the bridged LAN.
- **Listening:** A port in this state is preparing to participate in the transmission of frames. The transmission of frames is temporarily disabled in order to prevent temporary loops, which may occur in a bridged LAN during the lifetime of this state as the active topology of the bridged LAN changes.
- **Learning:** A port in this state is preparing to participate in the transmission of frames.
- **Forwarding:** A port in this state is participating in the transmission of frames.
- **Disabled:** A port in this state does not participate in the transmission of frames or the operation of the spanning tree process.

APPENDIX C. FLOW CONTROL

Flow control is a mechanism which allows you to protect the switch from overload conditions and to keep additional traffic off the network when excessive congestion will result. Figure C-1 illustrates flow control for both half and full duplex applications.

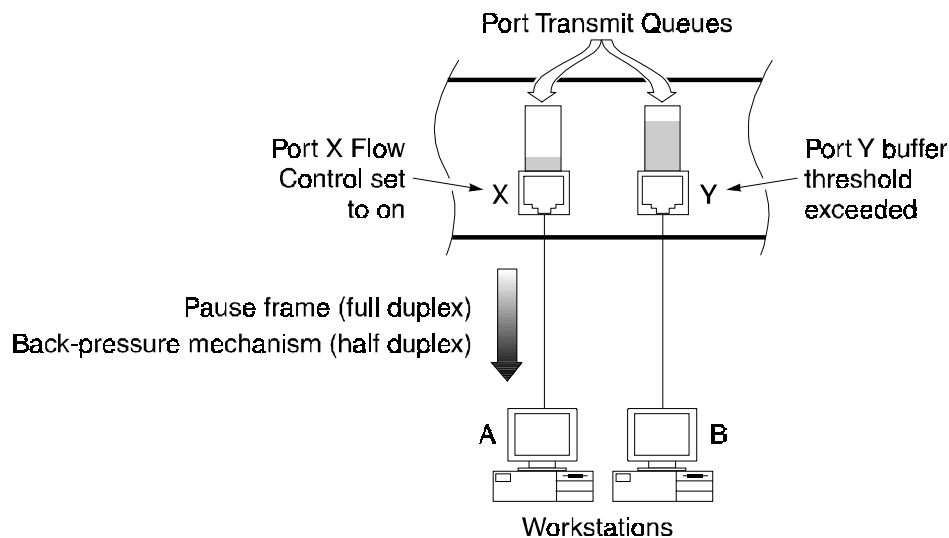


Figure C-1. Flow Control for Full and Half Duplex Applications

Each port of the switch has a transmit queue which buffers frames to be sent out on that port. In this example, large amounts of data are being sent from Workstation A (connected to port X) and other ports on the switch to Workstation B (connected to port Y). The queue on port Y starts filling up with data until it reaches a determined threshold. The packet which causes the threshold to be exceeded triggers the Flow Control function on the port from which the packet entered the switch, in this case port X.

Since port X is configured with Flow Control set to Enabled, the switch responds by initiating a pause frame (full duplex applications) or back-pressure mechanism (half duplex applications). The pause frame causes Workstation A to stop sending packets. After a certain amount of time has elapsed, determined by a value in the pause frame, Workstation A will resume sending data. Similarly, the back-pressure mechanism forces Workstation A to stop sending packets by inducing collisions on port X.

The pause frame flow control mechanism supported by the ELS100-24TX switch conforms with the IEEE 802.3x specification for full duplex flow control.

The ELS100-24TX Port Statistics Screen indicates the number of pause frames that have been sent, indicating the number of times full duplex flow control has occurred. For the full duplex pause frame mechanism to work, the device connected to the switch port must also support IEEE 802.3x flow control. Flow Control is configurable per port in the Port Configuration Menu of the console menu or via SNMP.

APPENDIX D. VIRTUAL LANS (VLANS)

VLANS and Frame Tagging

The ELS100-24TX supports IEEE 802.1Q-compliant virtual LANs (VLANs). This capability provides a highly efficient architecture for establishing VLANs within a network and for controlling broadcast/multicast traffic between workgroups. Central to this capability is an explicit frame tagging approach for carrying VLAN information between interconnected network devices.

With frame tagging, a four byte data tag field is appended to frames that cross the network. The tag identifies which VLAN the frame belongs to. The tag may be added to the frame by the end station itself or by a network device, such as a switch. In addition to VLAN information, the relative priority of the frame in the network can be specified by the tag (see Appendix E, "Class of Service").

In the example in Figure D-1 below, the workstations attached to the top switch are members of the same two VLANs as the workstations attached to the bottom switch. The 802.1Q tags are used to carry VLAN information in the frames traveling between the two switches.

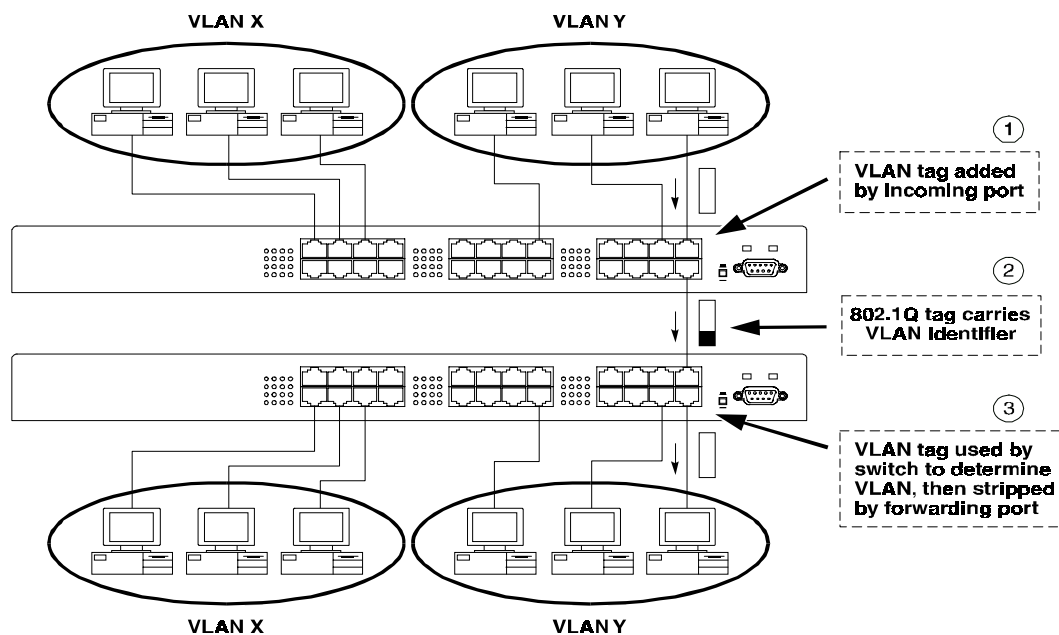


Figure D-1. Two Switch VLAN Configuration

If the ELS100-24TX is so configured, and, if the frame does not already contain a tag, a VLAN identifier is placed in a tag which is appended to frames as they are received by the switch. Within the switch and between switches compliant with IEEE 802.1Q, these identifiers are used to control the destination of broadcast frames, preventing them from being flooded to all connected stations and interfaces. When frames are forwarded back to destination end stations, the tag may or may not be stripped off, depending on the configuration of the end station and the switch port.

By using 802.1Q tagged VLANs, users from physically dispersed locations can be formed into groups by assigning them to specific VLANs. Broadcast and multicast traffic for these specific VLANs can be directed across the network without being radiated out to stations that are not members of the same VLANs. Up to 4094 different VLANs can be specified by the 802.1Q tag, thus permitting the configuration of up to 4094 virtual workgroups. This implementation is nonintrusive to end-station applications and the associated clients.

ELS100-24TX VLAN Configuration

VLAN operation on the ELS100-24TX is disabled by default. When VLANs are enabled, all frames are transferred internally through the switch with a VLAN tag. This tag may already be on the frame entering the switch, or added to the frame by the switch. VLAN information already existing on frames entering the switch is automatically handled by the switch. The ELS100-24TX learns VLAN information from tagged frames and appropriately switches frames out the proper ports based on this information. The configuration of VLANs for frames entering the switch without tags must be made by the user of the switch. This configuration can be made either through the VLAN Menu in the console interface or via SNMP. The parameters used to configure VLANs on the ELS100-24TX are explained below.

VLAN ID

The VLAN ID is used to uniquely identify different VLANs on a network. The VLAN ID information is contained in the 802.1Q tag header on a frame, and so identifies the VLAN to which a frame belongs. The ELS100-24TX recognizes VLAN IDs in the tags on frames entering the switch, and can also add tags with an appropriate VLAN ID to untagged frames.

Ports in VLAN

When configuring VLANs on the ELS100-24TX, individual ports are assigned to specific VLANs by setting the Port VLAN ID (PVID) for each port. Frames entering the switch which are untagged are automatically assigned a VLAN ID by the switch based on the PVID of the incoming port. The Ports in VLAN parameter makes the assignment of ports to PVIDs. An individual port can only be assigned to a single PVID with this parameter.

VLAN Egress Ports

The VLAN Egress Ports parameter is used to assign ports to a VLAN for carrying VLAN tagged frames across a network. The assignment of egress ports does not affect the assignment of VLAN IDs to frames entering the switch. However, frames exiting the switch may be sent out the egress ports configured for a specific VLAN ID. Frames exiting the switch via egress ports for a given VLAN are normally tagged.

VLAN Access Ports

Individual ELS100-24TX ports can be configured as one of two types for the purpose of VLAN configuration: Access or Hybrid. A VLAN Access port is used to connect one or more VLAN-unaware devices to the switch. VLAN tagged frames are not allowed to enter or exit an Access port. If a tagged frame enters the switch on an Access port, the switch will drop the frame. End-user stations which do not support 802.1Q tags should be attached to ports on the switch configured as Access ports.

In Example 1 in Figure D-2, both ports are designated as Access ports. The ports are both configured to be on VLAN X. An untagged frame (1) comes in through the left port and gets tagged with a VLAN X tag (2), based on the incoming port PVID. As the frame exits through the right port, the tag is stripped (3) since the outgoing port is an Access port as well and can only transmit untagged frames. The frame can propagate through the switch in this example only because both ports are on the same VLAN.

In Example 2 in Figure D-2, both ports are also Access ports, however the port on the left is on VLAN X while the port on the right on VLAN Y. The untagged frame (1) comes in through the left port and again gets tagged with a VLAN X tag (2). However, because the outgoing port is on a different VLAN (VLAN Y), the frame is dropped. In general, frames cannot propagate between ports unless both ports belong to the same VLAN.

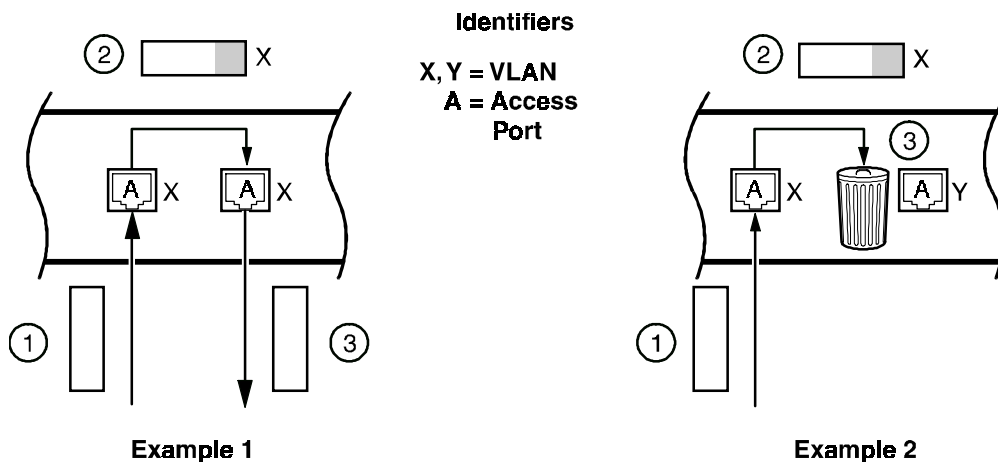


Figure D-2. VLAN Access Ports

VLAN Hybrid Ports

A VLAN Hybrid port is used to connect one or more VLAN-aware or VLAN-unaware devices to the switch. Both tagged and untagged frames can be received and transmitted on Hybrid ports. Egress ports should typically be configured as Hybrid ports.

When a frame with an unlearned source MAC address enters a Hybrid port, the learning of that address and its associated VLAN is dependent on whether the frame is tagged or not. If the frame is untagged, its source MAC address is learned as a non-tagging station, with a VLAN ID equal to the input port PVID. All frames subsequently sent to that MAC address from this Hybrid port will be untagged. If the frame is tagged, its source MAC address is learned as a tagging station, with a VLAN ID equal to the value of the VLAN ID in the tag. All frames subsequently sent to that MAC address from this Hybrid port will be tagged with that same VLAN ID.

In Example 1 in Figure D-3A, two ports are configured with two different PVIDs, X and Y. A frame arrives (1) with a tag for VLAN Z. If the destination MAC address of that frame has already been learned on the destination port as a tagged station with the same VLAN ID of Z, the frame is sent out that port (3) with the VLAN Z tag still appended to it. If the address has not been learned with the VLAN ID of Z on the destination port, the frame is dropped.

In Example 2 in Figure D-3A, a similar scenario to Example 1 occurs, except that the incoming frame (1) is tagged with a VLAN Y tag. The frame is being sent (2) to a port that belongs to VLAN Y. In this case, the decision to append a VLAN Y tag or not to the outgoing frame depends on whether the destination MAC address has been learned as a tagged or as an untagged station. In this example, it was learned as an untagged station, so the frame is sent out without a tag (3).

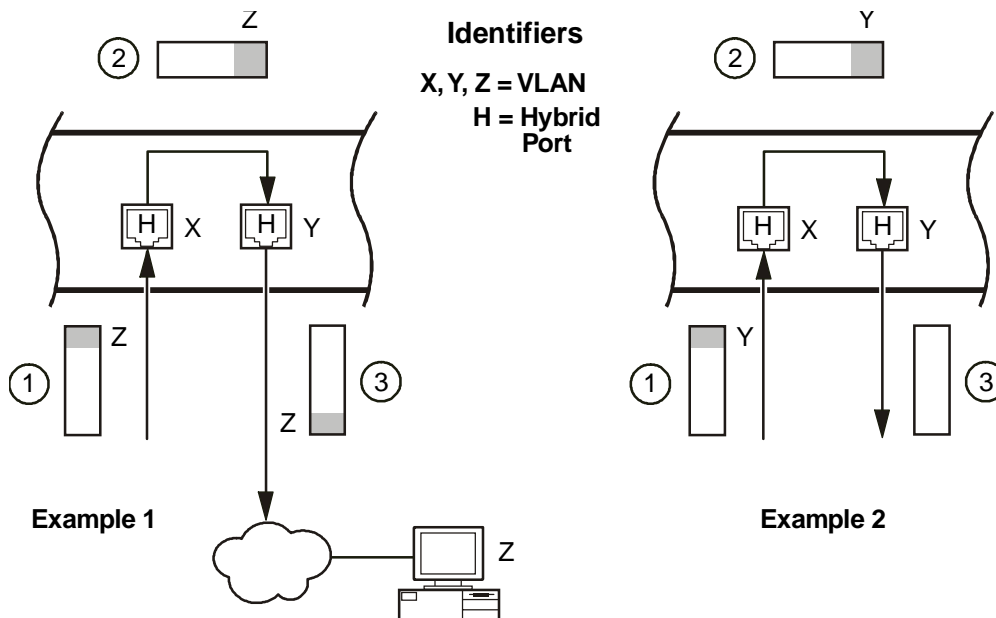


Figure D-3A. VLAN Hybrid Ports (Examples 1 and 2)

In Example 3 in Figure D-3B, an untagged frame arrives at the left port (1). The switch tags the frame with the PVID for VLAN X (2). Since the destination MAC address has already been learned as a tagged station on VLAN X on the outgoing port, the frame is sent out with a VLAN X tag.

Example 4 in Figure D-3B is similar to Example 3 except that both ports (incoming and outgoing) have a VLAN X PVID. The untagged frame arrives at the incoming port (1) and gets tagged with a VLAN X tag (2). The tag may or may not be stripped off as the frame exits the switch, depending on how the MAC address of the destination device was learned (3). In this example, the destination was learned as an untagged station so the tag is stripped. This Hybrid port example is thus essentially the same as the Access port case in Figure D-2, Example 1.



When sending broadcast or unknown DA unicast frames out a Hybrid port, the frames are always tagged. The VLAN ID of the tag is identical to the VLAN ID that was assigned to the frame when it entered the switch on the source port.

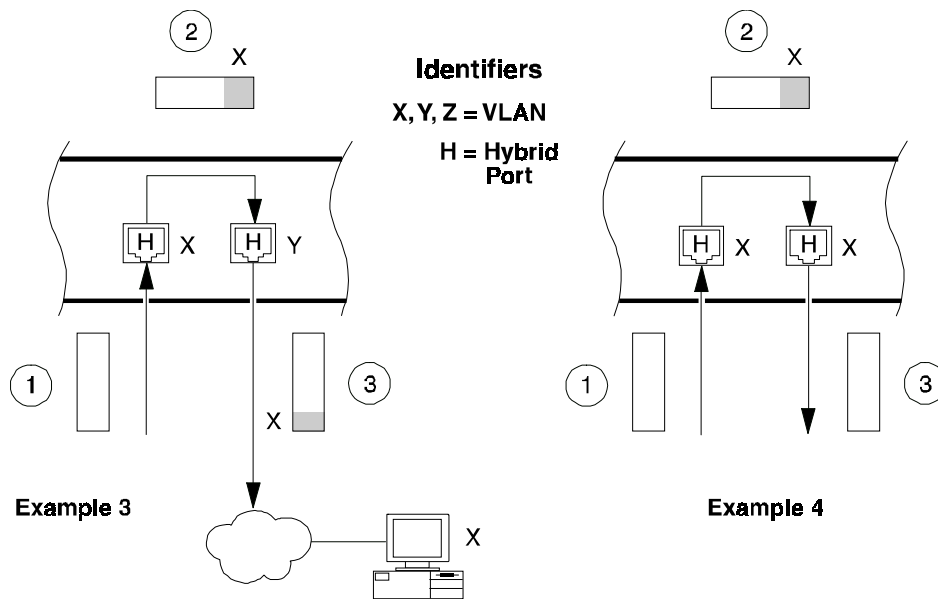


Figure D-3B. VLAN Hybrid Ports (Examples 3 and 4)

VLAN Application Example

A network administrator can use VLANs to define user groups regardless of the physical LAN segment to which they are connected. The use of Hybrid and Access links can further refine traffic flow in a multi-switch environment. Figure D-4 shows the combination of both Hybrid and Access links used in a network with three different VLANs. Workstations are typically connected to the ELS100-24TX via Access links. On the internal corporate network (backbone), VLAN tags are used to identify the VLAN association of frames.



It is possible to mix VLAN-aware and VLAN-unaware devices on the same Hybrid switch port. However, this is not recommended design practice.

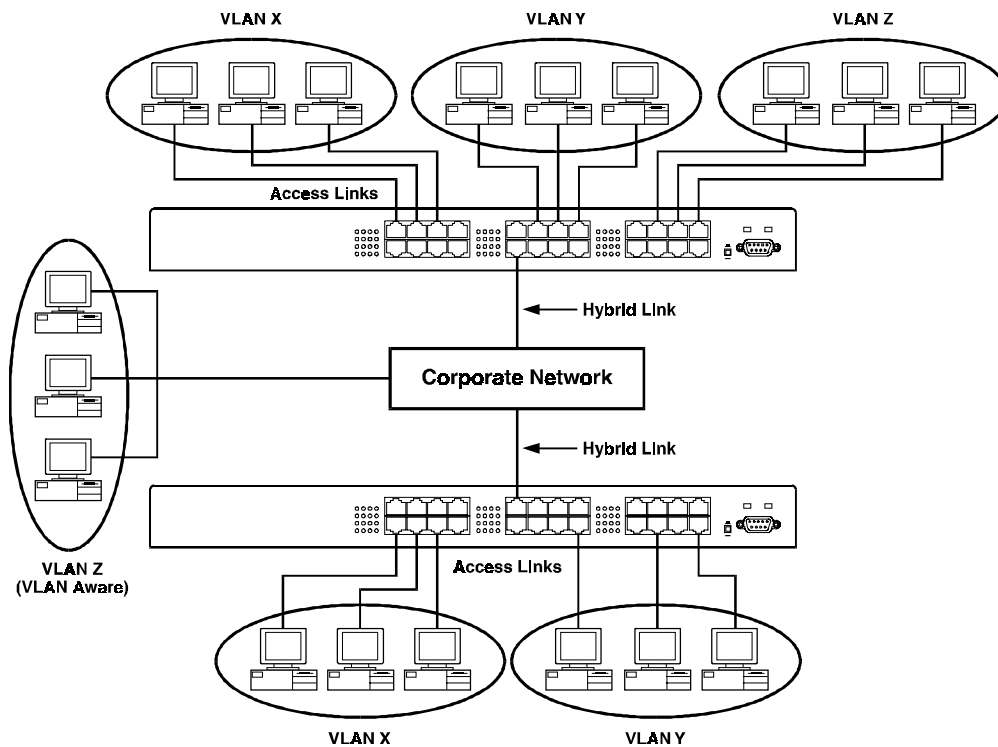


Figure D-4. VLAN Application Example

APPENDIX E. CLASS OF SERVICE

Class of Service support on the ELS100-24TX allows you to assign mission-critical data a higher priority through the switch by delaying less critical traffic during periods of congestion. Higher priority traffic through the switch is serviced first before lower priority traffic. The Class of Service capability of the ELS100-24TX switch is implemented by a priority queuing mechanism. Class of Service is based on the IEEE 802.1p draft standard specification and allows you to define two priorities of traffic on each switch port:

- high
- normal

As traffic enters the switch, it is assigned to one of the two priority levels according to information located in the 802.1Q header tag of the frame (see Appendix D, "Virtual LANs") or according to the incoming port number. Frames are then placed into one of two transmit queues on the outbound switch port based on their priority level. Frames on the high priority queue are transmitted first; when that queue empties, traffic on the normal priority queue is transmitted. When priority queuing is being used, each frame that passes through the switch contains a priority level in its header tag. The priority information may already exist in incoming frames, or be assigned by the switch. The determination of individual frame priority is based on the following rules:

1. Incoming tagged frames contain a priority level (range: 0-7)
2. Incoming non-tagged frames are assigned a preconfigured default priority level based on their incoming port (range: 0-7). The assignment of priority per port is done via management using the Port Priority Default parameter.
3. Priority levels of frames are compared against a reconfigured global priority threshold setting, configured via management using the Priority Threshold parameter. Those frames with levels equal to or above the threshold are designated high priority traffic; those frames with levels below the threshold are designated normal priority traffic. The default setting for the threshold parameter is: 4 and above = High Priority, 3 and below = Normal Priority.

Properly configured, the Class of Service mechanism assures that during congestion, the highest priority data does not get delayed by normal priority traffic. The tagged header in the frame governs individual frame priority.

Figure E-1 shows priority queuing operating within a switch. Frames entering the switch through ports 1 and 4 are tagged as normal traffic and placed in a normal priority queue on the outbound port. Frames entering through ports 2 and 5 are tagged as high priority traffic and placed in a high priority queue on the outbound port. Priority queuing can be configured using the Class of Service Configuration Menu in the console interface or via SNMP.

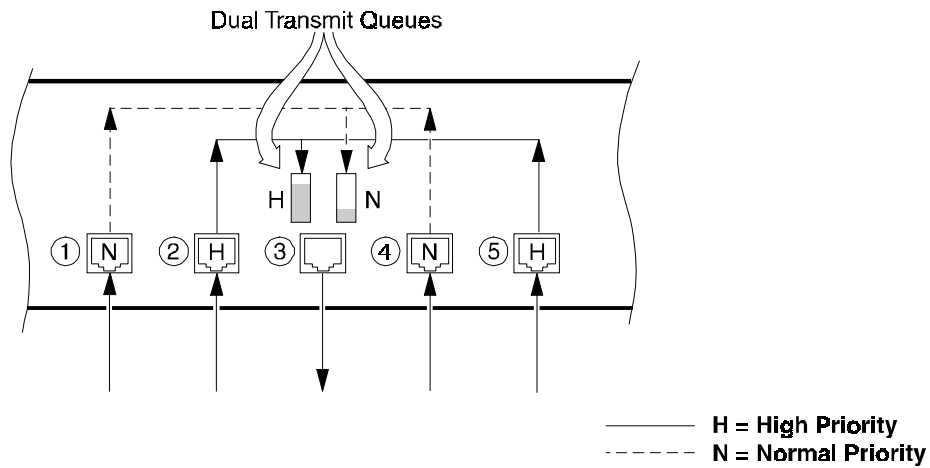


Figure E-1. Class of Service Example

APPENDIX F. ACRONYMS & ABBREVIATIONS

Term	Definition
10Base-T	10 Mbps twisted-pair Ethernet
100Base-TX	100Mbps twisted-pair Ethernet
ANSI	American National Standards Institute
ASIC	Application Specific Integrated Circuit
BootP	Bootstrap Protocol
BPDU	Bridge Protocol Data Unit
CAT5	Category 5
CoS	Class of Service
CRC	Cyclic Redundancy Check
CSMA/CD	Carrier Sense Multiple Access/Collision Detection
DCE	Data Communications Equipment (modem)
DHCP	Dynamic Host Configuration Protocol
DSR	Data Send Ready
DTE	Data Terminal Equipment
DTR	Data Terminal Ready
ICMP	Internet Control Message Protocol
IEEE	Institute of Electrical and Electronics Engineers
IP	Internet Protocol
LAN	Local Area Network
MAC	Media Access Control
LED	Light Emitting Diode
MDI	Media Device Interface
MIB	Management Information Base
PVID	Port VLAN ID
RFC	Request for Comment
RMON	Remote Monitoring

Term	Definition
RXD	Receive Data
SNMP	Simple Network Management Protocol
STP	Spanning Tree Protocol
TCP/IP	Transmission Control Protocol/Internet Protocol
TFTP	Trivial File Transfer Protocol
TXD	Transmit Data
UTP	Unshielded Twisted Pair
VLAN	Virtual Local Area Network
WAN	Wide Area Network

INDEX

10Base-T/100Base-TX pinouts, 73
10Base-TX/100Base-TX ports, 20
802.1D
 Spanning Tree Protocol, 56, 77
802.1D Bridge, 6
802.1p, 89
802.1Q, 84
802.3x, 82

A

architecture, 2
auto-negotiation, 8, 41, 42
 configuring, 59

B

base MAC address, 47
BootP/DHCP, 9
 configuring, 61
bridge, 79, 80
 communicating between bridges,
 80
 priority, 32
broadcast throttling, 9
 configuring, 60

C

cable
 RS-232, 17
Certification, 71
Class of Service, 10, 89, 90
 802.1p, 89
 configuring, 58
Class of Service Configuration Menu, 39
client/server network application, 11
communication settings, 17
community names, 27, 53
configuring the switch
 common tasks, 51
connecting network cables, 20
console port, 3, 17, 73
 connecting to, 17
 defined, 3
 pin assignments, 73
cost component of each port, 79
crossover cable, 20
cut-through, 6

D

Data Rate, 71
Default Gateway, 26
 setting, 61
designated bridges, 80
Download Software Menu, 25, 48
downloading a software upgrade, 7, 55,
 56
downloading via TFTP, 56
downloading via the serial port, 55
DTE connection, 17
dynamic MAC addresses, 59

E

Electrical Specifications, 72
Environmental Specifications, 71

F

factory defaults, 23
fan outlets, 5
features, 1
flow control, 10, 81, 82
 802.3x, 82
forward delay, 32
Forwarding Table, 6, 29
 configuring, 59
Forwarding Table Configuration Menu,
 29
frame tagging, 10, 83
front panel, 3
front panel components, 3
full duplex mode, 9

G

General Information Screen, 25, 47

H

Hello Time, 32

I

inspecting your shipment, 13
IP address
 assigning, 52

L

- LED mode button, 3, 4, 5
 - defined, 3
- LEDs, 4, 5, 9
- local backbone application, 12
- login, 22
- logout, 25, 49

M

- MAC addresses, 59
- Main Menu, 21, 25
- max age, 32
- MDI/MDI-X crossover cable wiring, 74, 75
- MDI-X, 20
- Memory, 72
- menu hierarchy, 24
- MIB, 63, 64, 65, 66, 69
- MIB-II, 64
- Microprocessor, 72
- mirrored port, 28
- mirroring port, 28
- modes of access
 - read-only and read/write, 22
- mounting ears, 15, 16
- Mounting the Switch, 14, 15, 16
 - rack, 16
 - table or shelf, 14
 - wall, 15

N

- network configuration status, 53
- non-volatile parameter storage, 7

P

- password protection, 7, 22, 52
- path cost, 33, 34
- performance, 2
- Physical Specifications, 72
- Port Configuration Menu, 42
- port LEDs, 4
 - defined, 5
- Port Menu, 25, 41
- port mirroring, 8
 - configuring, 54
- port operation
 - configuring, 58
- port priority, 33
 - menu, 40
- port specifications, 73
- port statistics screen, 45

- power connector, 5
- power cord, 18
- power cord set requirements, 75
- power LED, 3
 - defined, 3
- power source, 13
- power switch, 5
- powering the switch, 18
- power-up count, 47
- power-up tests, 18, 19
- Priority Default, 40, 58, 89
- Priority Threshold, 39, 58, 89

R

- rear panel, 5
- remapping network topology, 80
- Reset, 25, 50
- resetting the switch, 50
- Return to Default Configuration, 25, 49
- RJ-45 connectors, 20
- RMON, 8, 65
- Root Bridge, 80
- router, 26, 63

S

- Save Current Configuration, 25, 49
- screen timeout, 52
- serial number, 47
- site requirements, 13
- SNMP, 7, 27, 53, 63, 64, 69
 - setting access, 53
- SNMP Configuration Menu, 27
- software download
 - see downloading a software upgrade, 7
- software version, 47
- Spanning Tree, 6, 7, 78, 79
- Spanning Tree Configuration Menu, 31
- Spanning Tree Parameters
 - configuring, 56
- Spanning Tree Port #n Configuration Menu, 34
- Spanning Tree Port Configuration Menu, 33
- Spanning Tree Protocol
 - defaults, 79
- Standards Compliance
 - IEEE, 71
- store-and-forward, 6, 79, 92
- subnet mask, 52
- Switch Configuration Menu, 25, 28
- switch statistics, 54
- Switch Statistics Screen, 25, 43

Switch Summary Screen, 44
System Configuration Menu, 25, 26

T

Telnet, 21
 connecting, 53
terminal, 7, 17, 91
Test LED, 19
 defined, 3
TFTP download, 56
TFTP file name, 48

U

Unshielded Twisted Pair (UTP), 20
Up Time, 47
User Access, 22

V

ventilation, 13
VLAN #n Configuration Menu, 37
VLAN Access ports, 38, 85
VLAN application example, 88
VLAN Configuration Menu, 35
VLAN Egress ports, 36, 37, 85
VLAN Hybrid ports, 38, 86, 87
VLAN Menu, 36
VLAN Port Menu, 38
VLANs, 10
 802.1Q, 84
 configuring, 57
VT100, 7

W

workgroup hubs, 12

